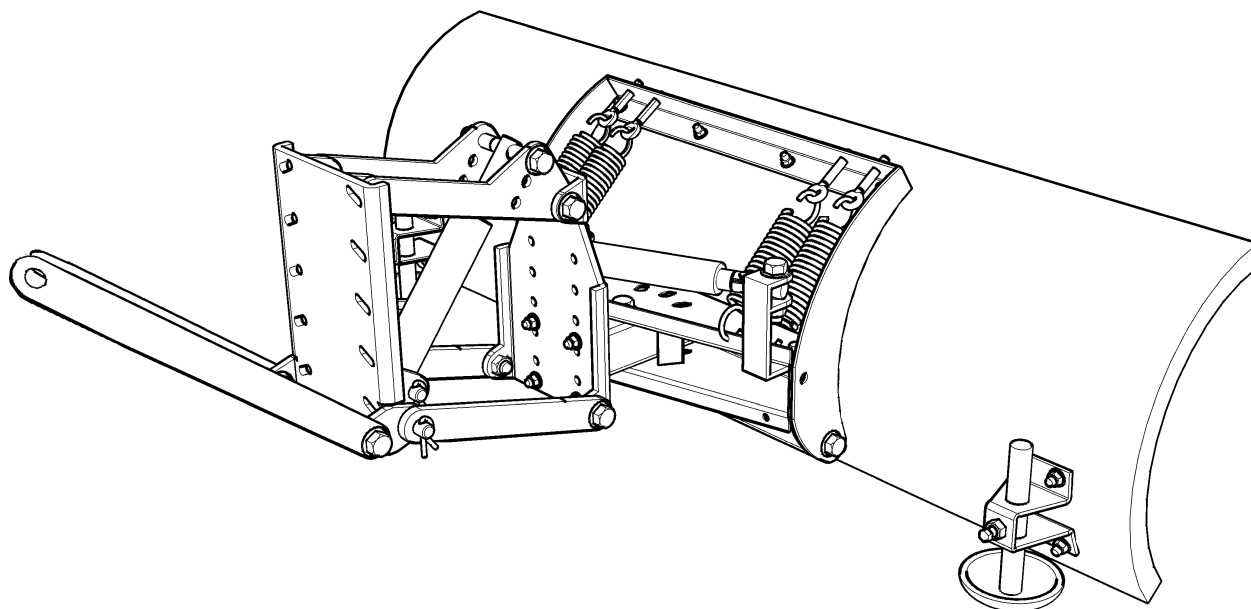


Operation Manual and Parts Book

Wessex Country Snow Blade SB-150 and SB-190



Product Code: L2035

CONTENTS

Welcome to your new Wessex Product2

Safety Decals3

Important Safety Warnings4

Warranty5

Setting up your Snow Blade6

Fitting the Hydraulic Connection6

Plough Blade Angling6

Using your Snow Blade7

Parts Illustration8

Parts List9

Optional Extras - Skid Shoes - Break Back Springs - Hydraulic Angling10

Maintenance10

Notes11, 12

CE Certificate13

WELCOME TO YOUR NEW WESSEX PRODUCT

Thank you for purchasing a Wessex product. As a Wessex customer, you now number among the most important people of our business and we will endeavour to give you the best service available through our dealer network.

Please read this Manual carefully and familiarise yourself and other persons that will be using the machine with its contents, to ensure the optimum performance and working life of your machine. It is advisable that a copy of this Manual is kept in the workshop and one copy with the machine. Further copies are available through your dealer.

On delivery, your dealer should go through the workings of the machine with you, explaining the setting up procedures, all of which are contained in this manual for further reference. The Warranty Registration Form must also be completed and returned to us **within 7 days of delivery** in order to validate the Warranty.

PLEASE READ THE FOLLOWING PAGES CAREFULLY BEFORE USING YOUR MACHINE AND KEEP THIS MANUAL IN A SAFE PLACE.



**THIS SAFETY SYMBOL IS TO ALERT OPERATORS OF A HAZARD
THAT MAY RESULT IN INJURY.
ALWAYS FOLLOW INSTRUCTIONS CAREFULLY**

SAFETY DECALS



- GB **ATTENTION** Description of pictograms.
F **ATTENTION** Description des pictogrames.
D **VORSICH** Beschreibung der piktogramme.



- GB Read Operating manual before use.
F Lisez Manual D'Opération avant l'utilisation.
D Vor der Benutzung, Betriebshandbuch lesen.



- GB Protective eyewear, footwear, gloves and ear protectors must be worn.
F Lunettes de protection, chaussures gants, protégés-oreilles doivent être portés.
D Schutzbrille, schuhe, handschuhe und Gehörschutz getragen werden muss.

IMPORTANT SAFETY WARNINGS



Wessex machines are guarded for your protection, but you must always observe certain elementary precautions. Machines are potentially **dangerous** and should be used with the greatest respect and **ALL OPERATORS MUST** read this manual and be aware of all safety precautions.

1. **NEVER** attempt any adjustment whatsoever, unless the machine is **COMPLETELY** at a standstill.
2. **NEVER** attempt to clear any obstructions around the machine unless the machine is **COMPLETELY** at a standstill.
3. **NEVER** exceed 10 mph when operating this machine.
4. **NOT** to be used on tractors larger than 40 H.P.
5. **AVOID** contact with kerbs, steps and protruding objects.
6. **DO NOT** operate close to people especially children and animals.
7. **KEEP CLEAR** of all moving parts.
8. **NEVER** operate any hydraulic function from anywhere other than the driving position of the tractor.
9. **NEVER** attempt any service or repair on the Plough or accessories without first stopping the tractor engine removing the ignition key and lowering the Plough to the ground.

WARRANTY

Your Wessex product or equipment is warranted free from defect in workmanship or manufacture for one year from date of purchase. Any parts which appear to us to be defective, either in material or workmanship shall be replaced or repaired at no cost to the purchaser, subject to the following conditions:

1. The registration card enclosed with this booklet must be returned to us within seven days of purchase.
2. Any failure in the machine should be reported in the first instance immediately to your dealer, who will act on your behalf to resolve the matter to your satisfaction.
3. The defective parts will be returned by your dealer to us, accompanied by a full statement describing the failure and the circumstances and conditions in which the failure occurred.
4. The following are specifically excluded from our terms of warranty:
 - a) Fair wear and tear, especially to belts, brushes, blades and spinners.
 - b) Damage to blades or brushes caused through incorrect positioning of the rotor (see instructions).
 - c) Damage caused by neglect or lack of lubrication.
 - d) Damage caused by misuse or abuse.
 - e) Damage caused whilst the machine is in transit.
 - f) Damage caused to the frame of the machine by running the machine with unbalanced rotors, blades or spinners.
 - g) Damage caused to the machine by use with loose nuts, bolts, screws or any other type of fittings.
5. The warranty is for the benefit of the first user only.
6. Wessex International decisions will be final and binding.

Note:

It is recommended that every machine is inspected after one hour of operation to check that all nuts, bolts, screws or any other types of fixings are tight and any loose fixings or components should be rectified as appropriate.

Further inspections should be carried out at regular intervals thereafter.

SETTING UP YOUR SNOW BLADE

- Firstly, if the tractor is fitted with front weights, they should be removed.
- Offer the main tractor bracket up to the weight frame. Either the tractor or the bracket may need to be drilled to set it in the correct position.
- The correct position for the bracket is approximately 200-250mm of clearance from the ground.
- Having bolted the main tractor bracket to the weight frame, the two diagonal bracket supports, should be bolted to the chassis of the tractor these supports may need to be shortened and drilled to suit the tractor.
- Having fitted the main bracket to the tractor then connect the top and bottom push bars to the bracket using the pins and clips provided.
- The Wessex Snow Plough is a universal fitting designed to fit different height and weight frames for easy fitment.

FITTING THE HYDRAULIC CONNECTION

- When fitting the hydraulic hose coupling, simply route the hose under the tractor and secure with cable ties avoiding any moving or hot parts of the tractor such as the exhaust system.
- If the hydraulic angling option has been specified the hydraulic hose coupling will also need routing in a similar fashion as the main coupling. A separate spool valve is required for this function.

PLOUGH BLADE ANGLING

Manual Option

- To angle the blade simply remove the central pin, manually rotate the blade and replace pin.

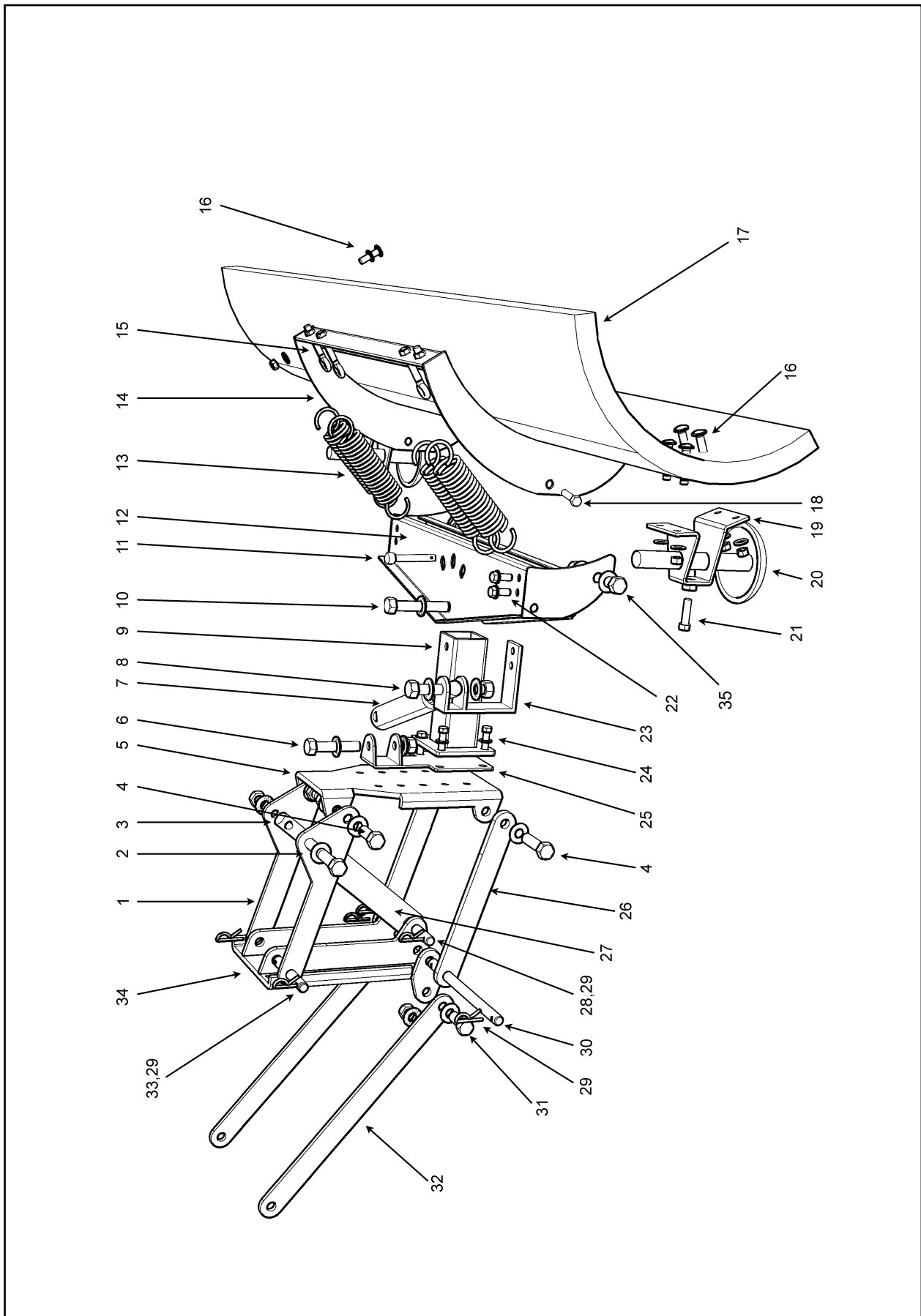
Hydraulic Option

- Operate the spool valve via the means provided on the tractor. Be aware that the rear of the Plough is a potential pinch point, be sure that bystanders are kept clear at all times.

USING YOUR SNOW BLADE

- When operating your Snow Plough always drive with caution in winter conditions.
- When clearing large areas i.e. car parks or yards, start in the centre and push snow to one side working your way across. Then start back in the centre and clear the opposite direction.
- When clearing roadways or drives always push the snow to the left hand side.
- Always be careful not to hit kerbs, steps or protruding objects, such as manhole covers etc.
- Never travel at high speeds, maximum of 10 mph.
- If the break-back operates and the blade flips over simply lift the blade and it will return to working position.
- Be aware of pushing snow that exceeds the height of the tractor blade such as previously ploughed snow piles etc. attempting such work may result in damage to the Plough and/or tractor.
- When operating the Plough with the blade in the angled position be aware that when ploughing deeper heavier snow the tractor can be deflected off the intended course. In such instances work at a slower speed and allow fair room between obstacles.

PARTS ILLUSTRATION



PARTS LIST

Item No.	Part No.	Description	Qty
1	WX-22679	Top Arm	2
2	F-XBM16180	Bolt	1
3	WX-16766	Ram Locking Collar	2
4	F-XBM2060	Bolt	4
5	WX-22579	Plough Mounting Plate	1
6	F-XBM16130	Bolt	1
7	WX-24179	Horizontal Hydraulic Ram	1
8	F-XBM16125	Bolt	1
9	WX-22979	Plough Mounting Arm	1
10	F-XBM20120	Bolt	1
11	WX-7928	Pivot Fixing Pin	1
12	WX-23079	Plough Pivot Frame Assembly	1
13	WX-4525	Spring	4
14	WX-23379	Plough Frame Assembly	1
15	WX-0339	Eye Bolt	4
16	F-XBM1070	Coach Bolt	16
17	WX-24879	Plough Blade	1
18	WX-0601	Locking Bolt	1
19	WX-23779	Outrigger Bracket	2
20	WX-23679	Outrigger Skid	2
21	F-XBM1645	Skid Locking Bolt	2
22	F-XBM1230	Bolt	2
23	WX-25079	Horizontal Ram Blade Bracket	1
24	F-XBM1250	Bolt	4
25	WX-24079	Horizontal Ram Bracket	1
26	WX-22779	Bottom Arm	2
27	WX-23879	Vertical Hydraulic Ram	1
28	WX-7928	Vertical Ram Lower Pivot Pin	1
29	WX-0421	R Clip	6
30	WX-7628	Bottom Arm Pivot Pin	1
31	F-XBM1650	Bolt	2
32	WX-22879	Support Arm	2
33	WX-7728	Top Arm Pivot Pin	1
34	WX-22179	Vehicle Mounting Plate Assembly	1
35	F-XBM2045	Bolt	2
N/S	WX-17856	Hose Kit (Lift Ram)	1
N/S	WX-17956	Hose Kit (Angling Ram)	2

OPTIONAL EXTRA'S

SKID SHOES

- To fit skid shoes simply drill the main Plough blade using the template provided, and bolt the skid shoe carrier on and tighten.
- When fitted, set the shoes 3-4mm below the bottom of the Plough blade to avoid wear.

BREAK BACK SPRINGS

- Hook the bottom of the springs in the holes provided, and connect to the top of the blade using the eye bolts provided. Tighten the eye bolts to tension.
- Remove the two locking bolts and nuts on the main Plough bracket.

HYDRAULIC ANGLING

- Bolt the hydraulic ram mounting bracket in position.
- Locate the ram in position and tighten bolts.
- Route hydraulic hoses with main ram hoses.

MAINTENANCE

Periodically

- Grease or oil pivot points.
- Check hydraulic rams and hoses for leaks.
- Clean after use, especially if it has been in contact with salt or grit.

NOTES

NOTES



Certificate of CE Conformity

Machine Model:

SB-150 & SB-190

Description:

Snow Blade

*I hereby certify that the machine detailed hereon
conforms to:*

**European Directives 2008/42/EC
Supply of Machinery Regulations 2008
As amended 91/368EEC – 93/44EEC – 93/68EEC**

Signed:

A handwritten signature in black ink, consisting of a large, stylized 'R' followed by a horizontal line and a small flourish.

.....
Quality Manager

Date:

December 2012

Wessex International

Charlton House, Caxton Place, East Portway Industrial Estate, Andover, Hampshire SP10 3QN
Telephone: 01264 345870 Fax: 01264 345 880

www.wessexintl.com



Wessex International
Charlton House, Caxton Close, East Portway Industrial Estate, Andover Hampshire. SP10 3QN
Telephone: 01264 345870 Fax 01264 345880
e-mail: sales@wessexintl.com

www.wessexintl.com
