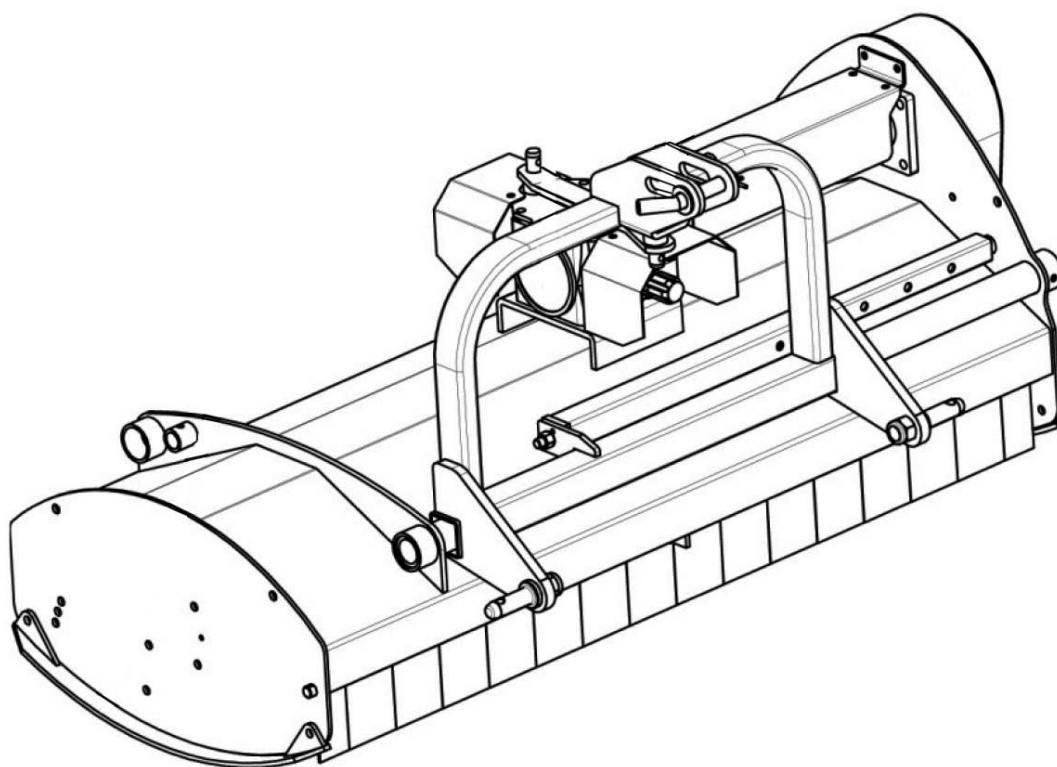


Operation Manual and Parts Book

Country FLC110, FLC125 & FLC140 Flail Mower



Product Code: L2044

CONTENTS

Welcome to your new Wessex Product	2
Safety Decals	3
Important Safety Warnings	4
Warranty	5
Linking up to the Tractor	6
Hydraulic Connections	6
Using your Wessex Mower	6
Working Height Adjustment	7
Side Shift Adjustment	8
Belt Tensioner Adjustment	9
Routine Maintenance	10
Cutter Check	11
Drive Belts Replacement	12
Troubleshooting	13
Winter Storage	13
Parts Illustration - Mainframe Assembly	14
Parts List - Mainframe Assembly	15
Parts Illustration - Mainframe Assembly	16
Parts List - Mainframe Assembly	17
Parts Illustration - Mainframe Assembly	18
Parts List - Mainframe Assembly	19
P.T.O. Shaft - Operation and Maintenance	20, 21
Safety Training Induction	22
Daily Inspection Record	23
Notes	24
CE Certificate	25

WELCOME TO YOUR NEW WESSEX PRODUCT

Thank you for purchasing a Wessex product. As a Wessex customer, you now number among the most important people of our business and we will endeavour to give you the best service available through our dealer network.

Please read this Manual carefully and familiarise yourself and other persons that will be using the machine with its contents, to ensure the optimum performance and working life of your machine. It is advisable that a copy of this Manual is kept in the workshop and one copy with the machine. Further copies are available through your dealer.

On delivery, your dealer should go through the workings of the machine with you, explaining the setting up procedures, all of which are contained in this manual for further reference. The Warranty Registration Form must also be completed and returned to us **within 7 days of delivery** in order to validate the Warranty.

**PLEASE READ THE FOLLOWING PAGES CAREFULLY BEFORE USING YOUR MACHINE
AND KEEP THIS MANUAL IN A SAFE PLACE.**

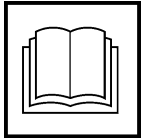


**THIS SAFETY SYMBOL IS TO ALERT OPERATORS OF A HAZARD
THAT MAY RESULT IN INJURY.
ALWAYS FOLLOW INSTRUCTIONS CAREFULLY**

SAFETY DECALS



- GB **ATTENTION** Description of pictograms.
 F **ATTENTION** Description des pictogrames.
 D **VORSICH** Beschreibung der Piktogramme.



- GB Read Operating manual before use.
 F Lisez Manual D'Opération avant l'utilisation.
 D Vor der Benutzung, Betriebshandbuch lesen.



- GB Do not use without pto shaft guard.
 F Ne pas utiliser sans de dispositif de sûreté de l'arbre (arbre d'entraînement).
 D Nicht benutzen ohne p.t.o. (antriebswelle) schutvorrichtung.



- GB Ear defenders must be worn.
 F Défenseurs des oreilles doivent être portés.
 D Gehörschutz getragen werden.



- GB Never remove guards or attempt adjustment until rotor has stopped.
 F Ne retirez jamais les gardes ou d'ajustement tentative jusqu'à ce que toutes les pièces mobiles ont été interrompus.
 D Schutvorrichtung niemals abnehmen oder einstellung versuchen, bevor der rotor abstellt.



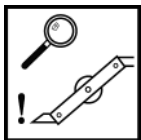
- GB Bystanders must be at least 20 metres from machine range of action.
 F Des spectateurs doivent s'écarter au moins 20 metres du rayon d'action de la machine.
 D Umstehenden müssen sich mindestens 20 meter vom maschinenbetriebsraum entfernen.



- GB Stand clear. Flying objects possible.
 F S'écarter! Possibilité d'objets volants.
 D Zurückbleiben! Herumfliegende Objekte möglich



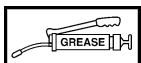
- GB Lift Machine before turning
 F Levez la machine avant de la tourner
 D Maschine aufheben, bevor man sie umdreht.



- GB Examine blades regularly. The operator is responsible for machine damage caused by unbalanced rotors.
 F Examinez des lames régulièrement. L'opérateur est responsable des dommages à la machine provoqués par des rotors mal équilibrés
 D Klingen regelmäßig kontrollieren. Der Arbeiter ist an den durch unausgewogenen Rotoren Maschinenschäden verantwortlich.



- GB Keep hands and feet clear
 F Garder les mains et les pieds.
 D Halten Sie Ihre Hände und Füße.



- GB Grease points
 F Les points de graissage
 D Grease Punkte.

IMPORTANT SAFETY WARNINGS



Wessex machines are guarded for your protection, but you must always observe certain elementary precautions. Machines are potentially **dangerous** and should be used with the greatest respect and **ALL OPERATORS MUST** read this manual and be aware of all safety precautions.

1. **NEVER** attempt any adjustment whatsoever, unless the machine is **COMPLETELY** at a standstill.
2. **NEVER** attempt to clear any obstructions around the mower unless the machine is **COMPLETELY** at a standstill.
3. **NEVER** remove belt guards unless the machine is **COMPLETELY** at a standstill.
4. **NEVER** remove safety guards which are provided for your protection.
5. **NEVER** operate the mower with people behind, keep everybody (especially children and animals) at a safe distance, **minimum 20 metres**.
6. Stand well back from the machine when cutters are spinning.
7. Regularly inspect the **BLADES AND FIXING BOLTS** to ensure that they are in tip-top condition. Replace blades **IMMEDIATELY** if any signs of fracture or excess wear becomes apparent. Serious damage, which is excluded from our warranty conditions, may result from using your mower with an unbalanced rotor. When replacing blades, always fit new mounting bolts and nuts to ensure that the rotor is balanced and running smoothly.

HEALTH AND SAFETY - Noise at Work Regulations

READING AT THE OPERATORS EAR CM series mowers : 94 D.B.A

Depending on conditions and material being cut, this reading may alter, it is therefore advisable for users to do their own assessment.



In compliance with the above regulations, Ear Protectors must be worn when operating machinery.

WARRANTY

Your Wessex product or equipment is warranted free from defect in workmanship or manufacture for one year from date of purchase. Any parts which appear to us to be defective, either in material or workmanship shall be replaced or repaired at no cost to the purchaser, subject to the following conditions:

1. The registration card enclosed with this booklet must be returned to us within seven days of purchase.
2. Any failure in the machine should be reported in the first instance immediately to your dealer, who will act on your behalf to resolve the matter to your satisfaction.
3. The defective parts will be returned by your dealer to us, accompanied by a full statement describing the failure and the circumstances and conditions in which the failure occurred.
4. The following are specifically excluded from our terms of warranty:
 - a) Fair wear and tear, especially to belts, brushes, blades and spinners.
 - b) Damage to blades or brushes caused through incorrect positioning of the rotor (see instructions).
 - c) Damage caused by neglect or lack of lubrication.
 - d) Damage caused by misuse or abuse.
 - e) Damage caused whilst the machine is in transit.
 - f) Damage caused to the frame of the machine by running the machine with unbalanced rotors, blades or spinners.
 - g) Damage caused to the machine by use with loose nuts, bolts, screws or any other type of fittings.
5. The warranty is for the benefit of the first user only.
6. Wessex International decisions will be final and binding.

Note:

It is recommended that every machine is inspected after one hour of operation to check that all nuts, bolts, screws or any other types of fixings are tight and any loose fixings or components should be rectified as appropriate.

Further inspections should be carried out at regular intervals thereafter.

LINKING UP TO THE TRACTOR

1. Reverse your tractor up to the machine and connect the lower links, left hand first, to the link pins on the machine, securing with linch-pins. Adjust the right hand tractor lift arm to ensure that the mower is level from side to side.
2. Connect the top link. Adjust the top link so that the top of the mower is parallel to the ground.
3. Connect the P.T.O. shaft ensuring the the shaft is not too long for the tractor. If necessary, the P.T.O. shaft may be shortened, (see instructions on pages 20 and 21). Always hook the P.T.O. chains onto the lugs provided.
4. Tighten the tractor check chains to prevent sideways movement of the mower.

HYDRAULIC CONNECTIONS

1. If your machine is equipped with hydraulic side shift, connect the cylinder to the tractor, by linking the ends of the inlet/outlet pipes - supplied with quick hitch connectors - to the hydraulic outlet of the tractor. Check the connection stability and familiarise yourself with the controls.

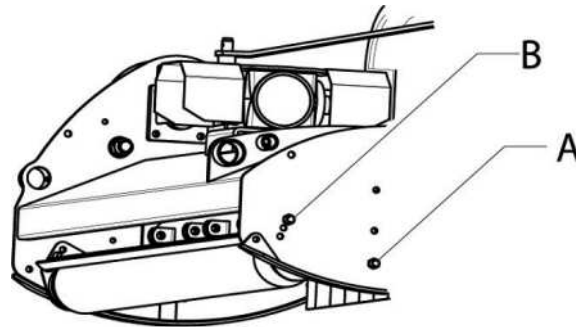
USING YOUR WESSEX MOWER

1. Having linked you mower up to the tractor and connected up the P.T.O. shaft, ensure that the mower is not too heavy for the tractor, if so you may need to fit front weights to the tractor.
2. Ensure that there are no bystanders or animals within 20 meters before starting the mower up.
3. Never use the mower in P.T.O. speeds in excess of 540 R.P.M.
4. Ensure that there are no objects underneath the mower deck and that there are no bystanders within 20 meters behind the mower before starting the mower up especially children and animals.
5. Having set the mower up in accordance with the above instructions engage the P.T.O. and select a low forward speed and gently move forward. You will establish the optimum forward speed for your conditions by experience, but on regularly maintained grass you will achieve a good finish at 5-6 M.P.H.
6. When mowing it is important that you lift the machine on the tractor link arms when turning sharply. When planning your cutting pattern ensure that you keep the turning whilst mowing to a minimum. Turning sharply with the mower on the ground will damage the roller bearings.

ADJUSTMENTS

WORKING HEIGHT ADJUSTMENT

The machine's working height is determined by the vertical position of the rear roller. By lifting the roller, the blades get closer to the soil, whereas by lowering it you achieve a longer cut. After adjusting the working height, make sure that the cutters do not hit the ground: A direct contact with the ground would cause excessive wear.

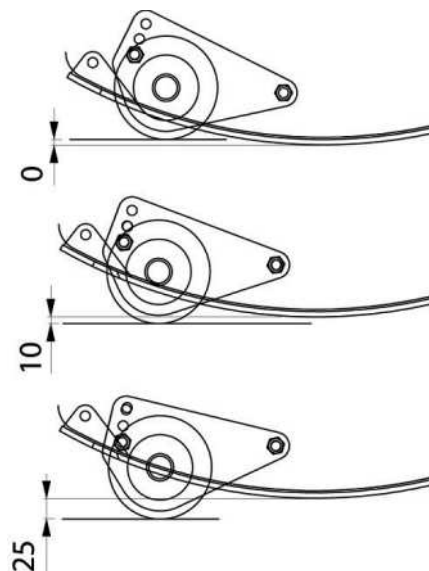


Picture 1

To adjust the roller height (picture 2):

- Screw out and remove bolts **B** which fasten the roller on both sides.
- Loosen nut **A**.
- Lift or lower the roller, then position it according to the scheme.
- Re-insert and tighten bolts **B**.
- Tighten nut **A**.

The skids prevent the machine from sinking too much into the soil while working. The skids position is fixed.



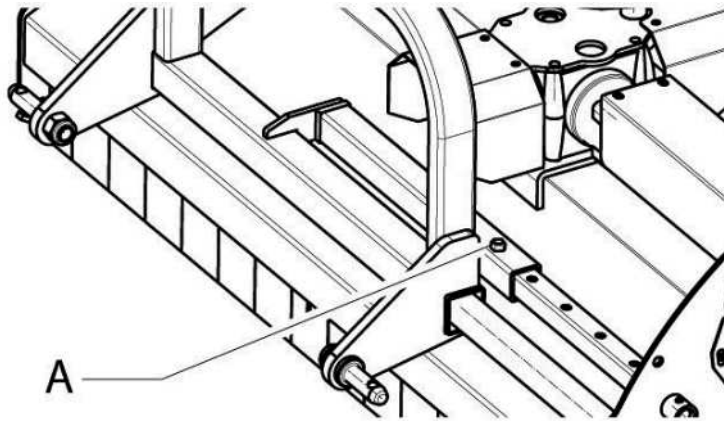
Picture 2

SIDE SHIFT ADJUSTMENT

Country FLC Flail Mowers are provided with side shift, both manual (picture 3) and hydraulic (picture 4).

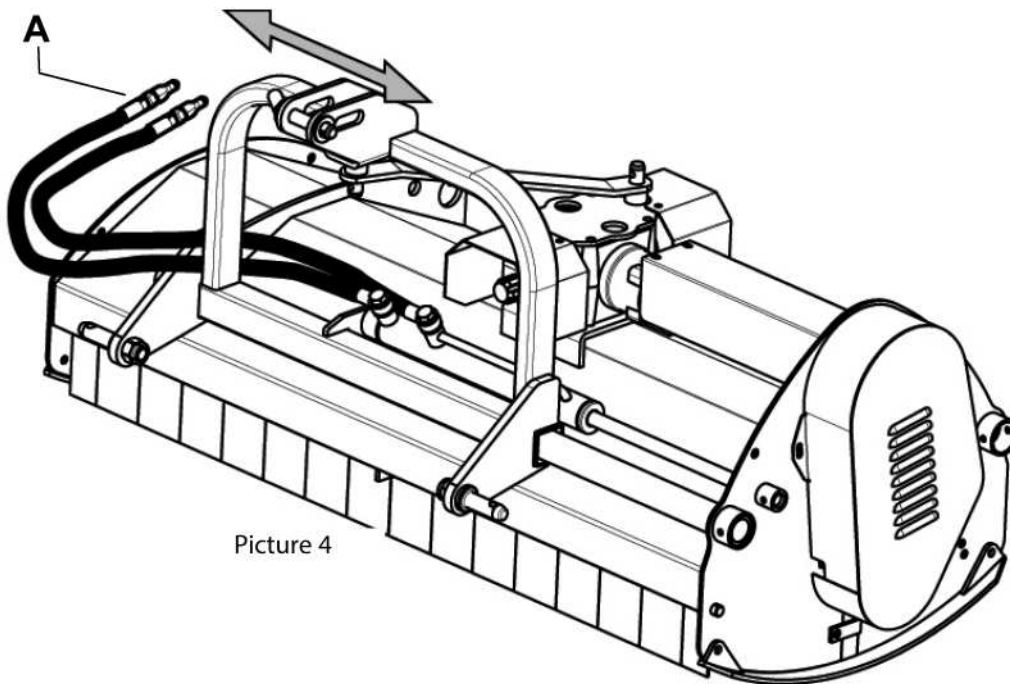
To adjust side shift on the machines provided with manual shift (picture 3).

- Unscrew and remove bolt **A**.
- Move the A Frame to one of the permitted positions.
- Replace bolt **A** and tighten the nut.



Picture 3

If the mower is equipped with hydraulic shift, its position can be adjusted at one's pleasure after connecting quick release hoses **A** (picture 4) to the tractor, by using the controls of the tractor itself.



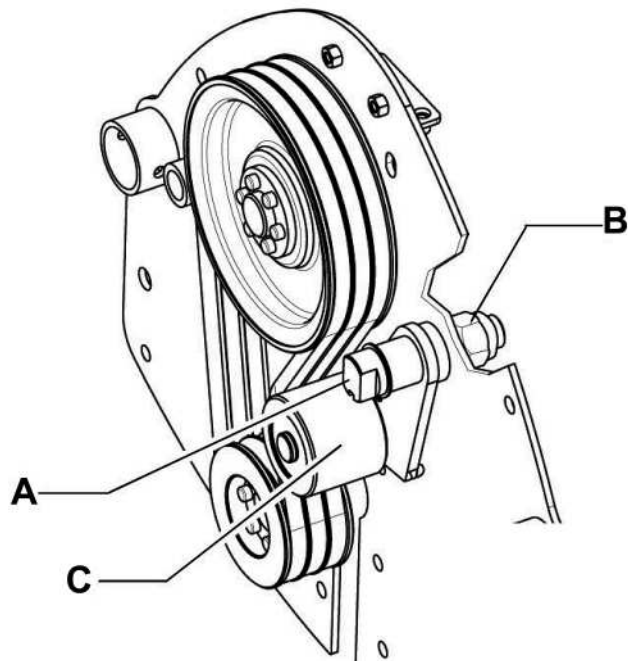
Picture 4

BELT TENSIONER ADJUSTMENT

To adjust the drive belts tensioner, proceed as follows (picture 5).

- Unscrew nut **B**.
- Tighten pin **A** to tension the belts with roller **C**.
- Once the belts are adjusted, tighten nut **B**.

The belts are stretched properly when applying a force of about 10kg on the tension side of the belts they are deflected by about 10mm.



Picture 5

ROUTINE MAINTENANCE

FIRST CHECK

- Check the correct tension of the driving belt.
- Check that all bolts and nuts are tightened strongly.
- After the first 50 hours of work change oil in the gearbox unit (**Oil Type: 80W90**)

EVERY 8 HOURS OF WORK

- Grease the shaft support (driveline side) through the lubricating nipple **A** (picture 6).
- Grease the shaft support (external side) through the lubricating nipple **A** (picture 7).
- Grease the stabilising roller through the lubricating nipple **A** (picture 8).

EVERY 50 HOURS OF WORK

- Check the correct tension of the driving belt.
- Check that all bolts and nuts are tightened strongly.
- Check the cutters/hammers wear state.
- Check the gearbox oil level through plug **A**.

EVERY 500 HOURS OF WORK

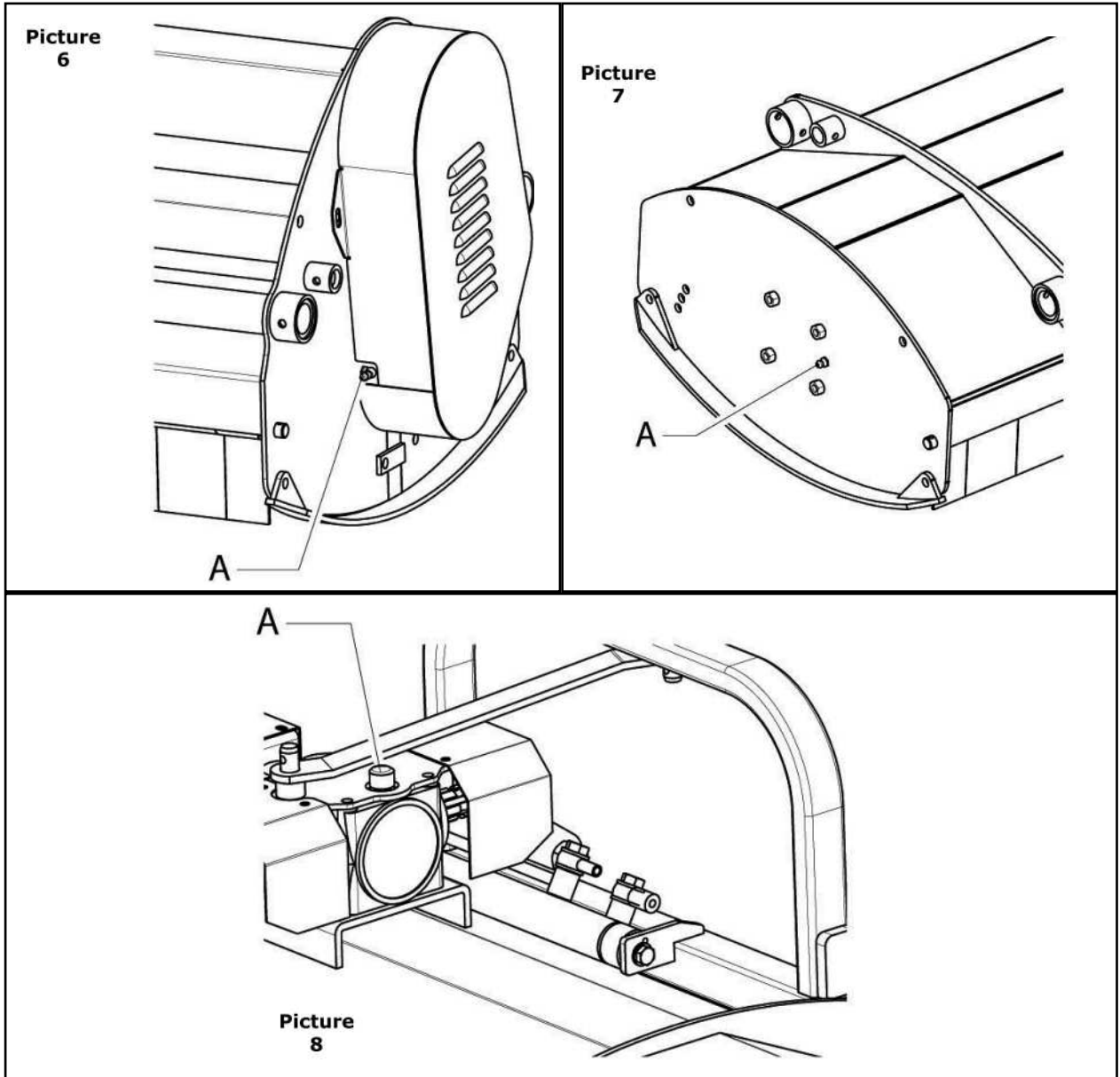
- Check that all bolts and nuts are tightened strongly.
- Check oil in the gearbox (**Oil Type: 80W90**).

EVERY 1000 HOURS OF WORK

- Replace the driving belts.

CUTTER CHECK

Before starting the inspection of cutters, stop engine, apply parking brake and disengage power takeoff; lift the mower with the tractor and place it on rests to avoid an accidental fall.



To assure a perfect functioning of the machine, check often (at least every 50 hours of work) that the flails are in good condition and perfectly fixed by the locking bolts; if they are broken or badly worn replace them with new spare parts.

When a Flail has to be replaced, it is advisable to replace the whole set. The use of non-original replacements might cause irregular vibrations on the machine.

If replacing operations are carried out with the machine lifted up, do not rely only on the hydraulics of the machine: It is recommended to place mechanic props or trestle supports between the machine and the ground, thus preventing the head from suddenly and dangerously falling down.

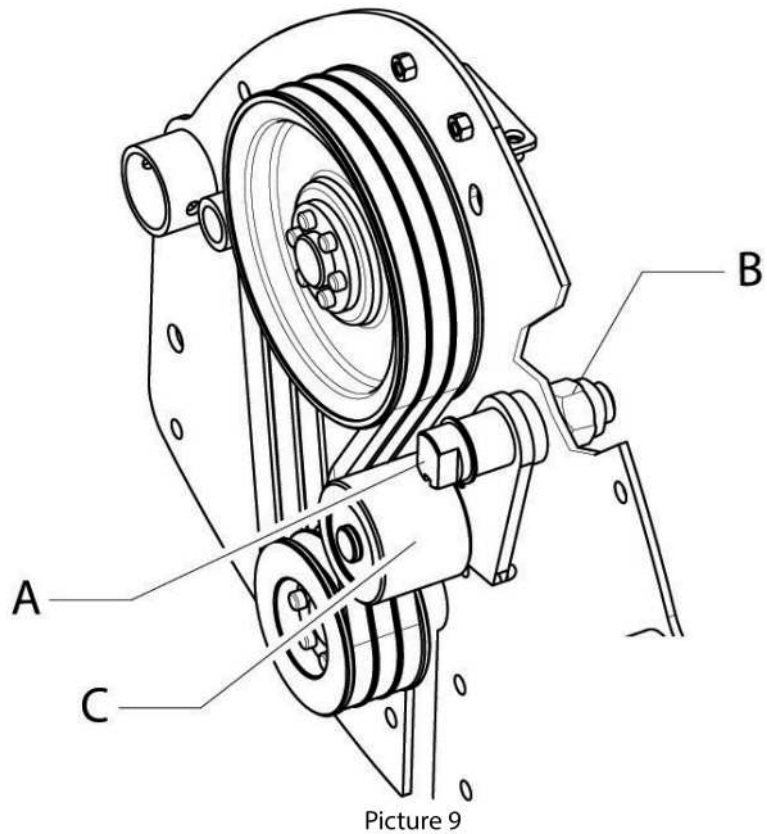
For any replacement parts please contact the nearest Wessex authorised dealer.

DRIVE BELTS REPLACEMENT

To replace the belts proceed as follows (picture 9)

- Remove roller **C** by unfastening its tensioning spring, unscrewing nut **B** and holding pin **A** with a spanner.
- Remove the damaged belt(s).
- Position the new belt(s).
- Proceed in reversed order to reassemble the tensioning roller, by properly adjusting the tension of the belts (see section 'Belt Tensioner Adjustment, page 9).

If a belt gets damaged, it is recommended to replace the whole set, in order to have the drive tension equally balance on each belt.



TROUBLESHOOTING

FAULT	CAUSE	REMEDY
Leaving wheel track uncut	1. Forward speed too fast 2. Cutting height too high	Reduce forward speed Lower cutting height
Bad quality of cut	1. Forward speed too fast 2. Excessive blade wear 3. Belts slipping	Reduce forward speed Replace blades Tighten belts
Narrow strip uncut	1. Possibly missing or broken blade	Inspect blades and replace as necessary
Excessive vibration	1. Damaged or missing blades 2. Bent flail rotor 3. Main rotor bearing failed 4. Loose part	Inspect and replace blades Inspect rotor Inspect bearing, replace if damaged Check all nuts and bolts are tight
Excessive scalping	1. Cutting height too low	Raise cutting height.

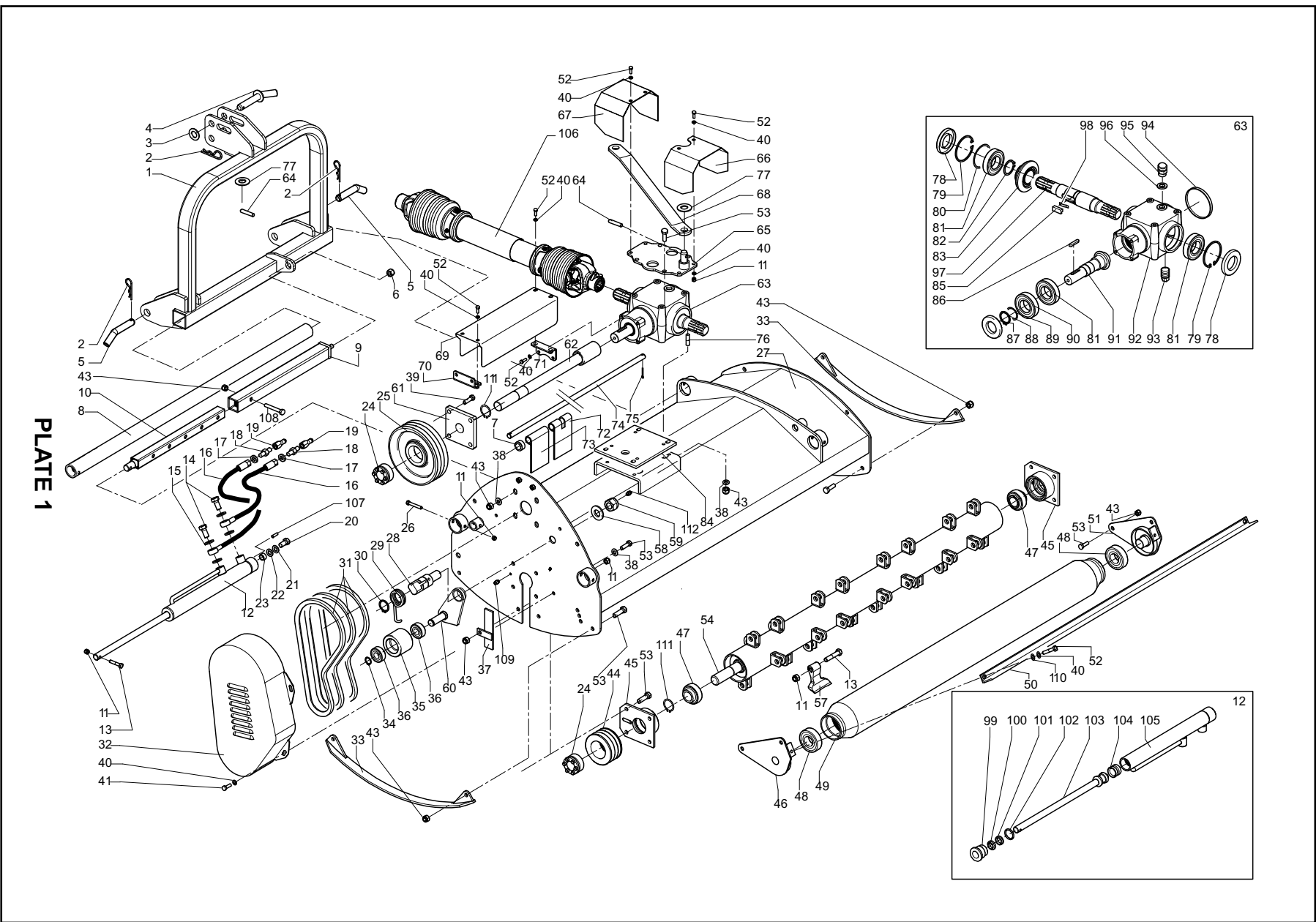
WINTER STORAGE

Before winter storage, the Flail Mower should be thoroughly inspected:-

- Repair or replace any worn or broken parts.
- Take special care to look at the flail blades, rotor and the bearings.
- Remove the belts and ensure that the rotor is free-spinning.
- Make sure that the belts are in good condition before re-fitting.
- Thoroughly wash the machine to remove all oil, grease, debris and materials.
- Grease up all grease points before storage to avoid any corrosion.
- Check or change engine oil depending on hours of use.

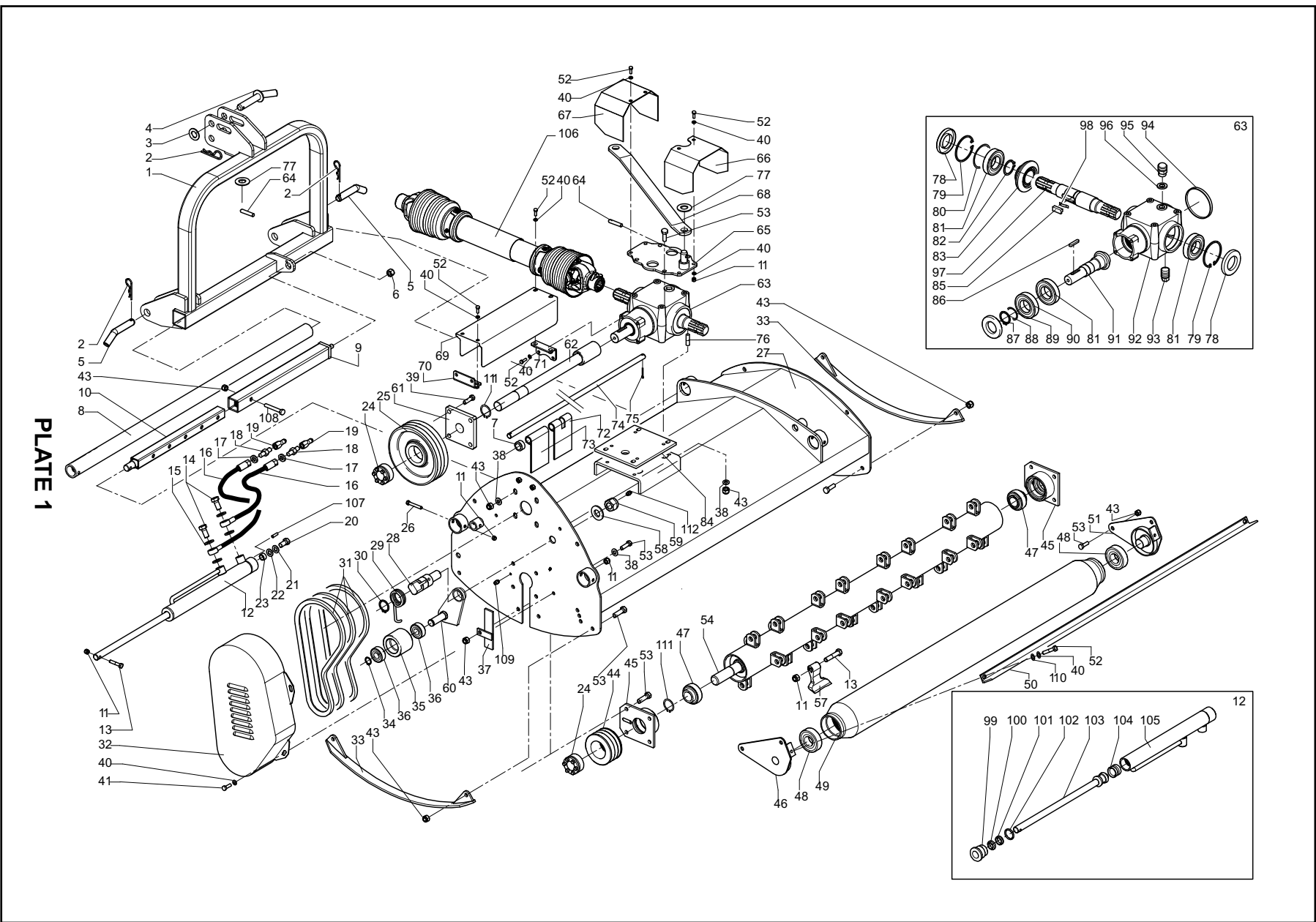
SPARE PARTS

Spare parts for your Wessex Mower can be obtained through our extensive dealer network. For details of your nearest supplier or for technical information, please email parts@wessexintl.co.uk or telephone 01264 345870.



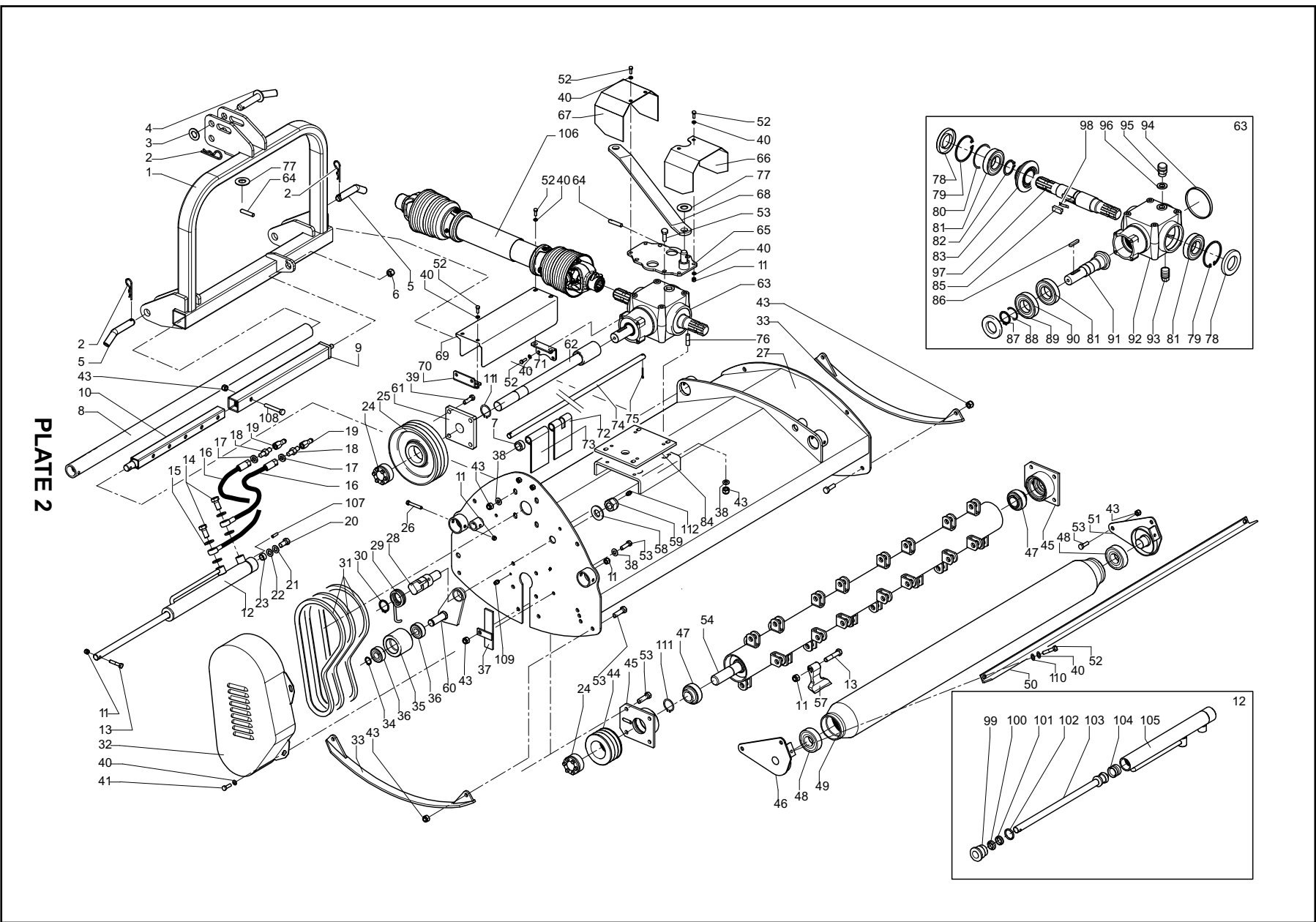
PARTS LIST - FLC MAINFRAME ASSEMBLY - PLATE 1

Item No.	Part No.	Description	Qty.
1	SCA-5005222	A-Frame	1
2	WX-0221	'R' Clip	3
3	SCA-6304100020	Washer	1
4	SCA-5005199	Pin	1
5	SCA-4301590	Pin	2
6	SCA-3464101012	Nut	1
7	SCA-5537015	Spacer	1
8	SCA-5535215	Tube	1
9	SCA-5005839	Tube	1
10	SCA-5005838	Tube	1
11	SCA-3464101008	Nut	35
12	SCA-5005826	Complete Cylinder	1
13	SCA-3011008040	Bolt	35
14	SCA-6421904	Bolt	2
15	SCA-6470038	Washer	4
16	SCA-64126150	Hose	2
17	SCA-6470012	Washer	2
18	SCA-6037390	Nipple	2
19	SCA-6037683	Quick Release Coupling	2
20	SCA-3021112030	Bolt	1
21	SCA-3625100012	Washer	1
22	SCA-3614000012	Washer	1
23	SCA-4532393	Spacer	1
24	SCA-6363055	Self-Locking Units	2
25	SCA-5645266	Driving Pulley	1
25	SCA-5645264	Driving Pulley	1
26	SCA-3011108060	Bolt	2
27	SCA-5005373	Main Frame FLC110	1
27	SCA-5005374	Main Frame FLC125	1
27	SCA-5005375	Main Frame FLC140	1
28	SCA-5205202	Pin	1
29	SCA-4211510	Spring	1
30	SCA-6320032	Circlip	1
31	SCA-6710950	Belt	3
31	SCA-6710800	Belt	3
32	SCA-5005286	Belt Cover	1
33	SCA-5005285	Skid	2
34	SCA-6320020	Circlip	1
35	SCA-5782901	Roller	1
36	SCA-2226204	Bearing	2
37	SCA-5005228	Protection	1



PARTS LIST - FLC MAINFRAME ASSEMBLY - PLATE 1

Item No.	Part No.	Description	Qty.
38	SCA-3625000010	Spring Washer	3
39	SCA-3011110035	Bolt	4
40	SCA-3604000008	Washer	16
41	SCA-3021108020	Bolt	3
42	SCA-3021110030	Bolt	1
43	SCA-3464101010	Nut	8
44	SCA-5645264	Driving Pulley	1
45	SCA-5005230	Support	2
46	SCA-5005281	Support	1
47	SCA-20300030	Bearing	2
48	SCA-2226306	Bearing	2
49	SCA-5005277	Roller - FLC110	1
49	SCA-5005278	Roller - FLC125	1
49	SCA-5005279	Roller - FLC140	1
50	SCA-5855251	Scraper - FLC110	1
50	SCA-5855252	Scraper - FLC125	1
50	SCA-5855253	Scraper - FLC140	1
51	SCA-5005282	Support	1
52	SCA-3021108020	Bolt	10
53	SCA-3021111020	Bolt	14
54	SCA-5005217	Rotor - FLC110	1
54	SCA-5005218	Rotor - FLC125	1
54	SCA-5005219	Rotor - FLC140	1
57	SCA-5715103	Hammer - FLC110	26
57	SCA-5715103	Hammer - FLC125	30
57	SCA-5715103	Hammer - FLC140	34
58	SCA-3604000022	Washer	1
59	SCA-3646102022	Nut	1
60	SCA-5005284	Lever	1
61	SCA-2000030	Bearing	1
62	SCA-5005283	Shaft	1
63	SCA-80117-01	2PTO Gearbox	1
64	SCA-6330850	Roll Pin	1
65	SCA-5005221	Plate	1
66	SCA-5135254	Guard	1
67	SCA-5135287	Guard	1
68	SCA-5835201	Tie	1
69	SCA-5135253	Guard	1
70	SCA-5135255	Support	1
71	SCA-5135256	Support	1
72	SCA-5135279	Stone Guard	1
73	SCA-5135248	Stone Guard	16



PARTS LIST - FLC MAINFRAME ASSEMBLY - PLATE 1

Item No.	Part No.	Description	Qty.
74	SCA-5235201	Rod - FLC110	1
74	SCA-5235202	Rod - FLC125	1
74	SCA-5235203	Rod - FLC140	1
75	SCA-6340550	Split Pin	1
76	SCA-3251110025	Stud	1
77	SCA-3614000020	Washer	1
78	SCA-6204080	Oil Seal	2
79	SCA-6310080	Internal Circlip	2
80	SCA-6017005	Shim	1
81	SCA-2106208	Bearing	3
82	SCA-6320042	Circlip	1
83	SCA-17217-00	Bevel Gear	1
84	SCA-5135245	Spacer	1
85	SCA-1321001	Parallel Key Free Wheel	2
86	SCA-6360840	Parallel Key	1
87	SCA-6203572	Oil Seal	1
88	SCA-6320035	Circlip	1
89	SCA-6013505	Shim	1
90	SCA-2106207	Bearing	1
91	SCA-17217-01	Bevel Pinion	1
92	SCA-4651702	Gearbox Case	1
93	SCA-3441018	Plug	1
94	SCA-6100100	Seal Cap	1
95	SCA-3442018	Breather	1
96	SCA-5005276	Alluminium Washer	1
97	SCA-12217-02	Input Shaft To P.T.O.	1
98	SCA-1811001	Flat Spring	2
99	SCA-4641401	Lock Nut Piston	1
100	SCA-6038320	Oil Scaper	1
101	SCA-6710800	Seal B 110078	1
102	SCA-6036216	'O' Ring	1
103	SCA-5005828	Piston Rod	1
104	SCA-6038280	Seal	1
105	SCA-5005827	Cylinder Case	1
106	SCA-E8200409	P.T.O.	1
107	SCA-6330620	Roll Pin	1
108	SCA-3011110055	Bolt	1
109	SCA-6560006	Nipple	1
110	SCA-3625100008	Washer	2
111	SCA-6320030	Circlip	1
112	SCA-6560008	Grease Nipple	1

PTO SHAFT OPERATION AND MAINTENANCE

IMPORTANT!

PTO drive shafts must only be used for their intended purpose.

PTO drive shafts are designed for specific machine types and power requirements.

They must not be replaced by other models.

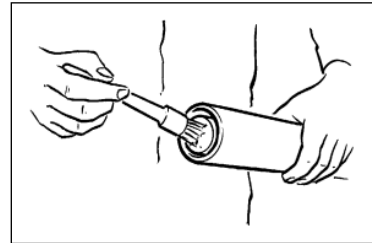
Ensure that the PTO drive shaft is securely connected.

Only use a completely protected drive system:

PTO drive shaft with complete guard and complementary guard on tractor and implement. A complete guard is essential in all working positions.

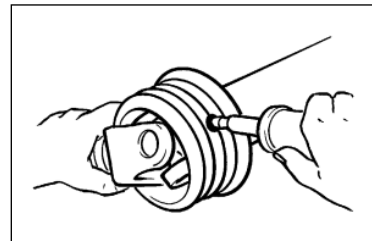
LUBRICATION

Lubricate with quality grease before starting work and every 8 operating hours.



Clean and grease the PTO drive shaft before each prolonged period of non-use.

Grease the guard tubes in winter to prevent freezing.

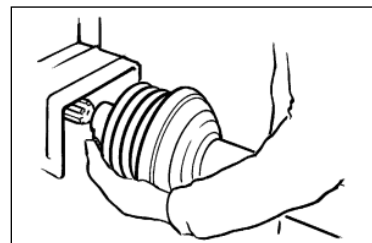


COUPLING THE PTO SHAFT

Clean and grease the PTO and PIN

Q.-d pin

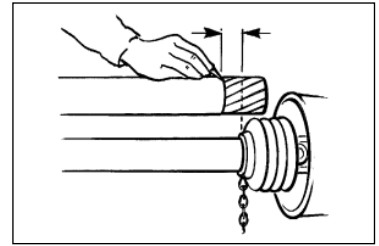
Press q.-d. pin and simultaneously push PTO drive shaft onto PTO until pin engages.



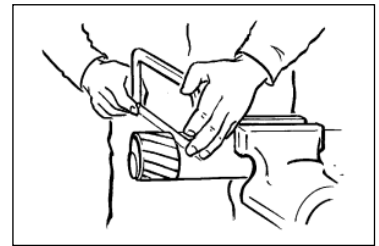
PTO SHAFT OPERATION AND MAINTENANCE

LENGTH ADJUSTMENT

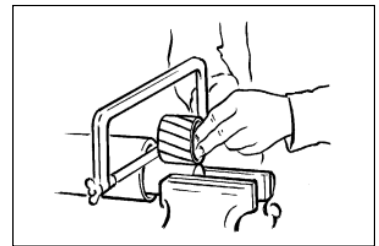
To adjust the length, hold the half-shafts next to each other in the shortest working position and mark them.



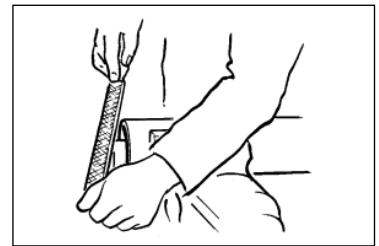
Shorten inner and outer guard tubes equally.



Shorten inner and outer sliding profiles by the same length as the guard tubes.



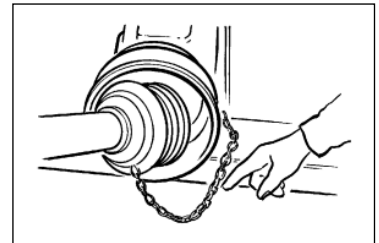
Round off all sharp edges and remove burrs.
Grease sliding profiles.



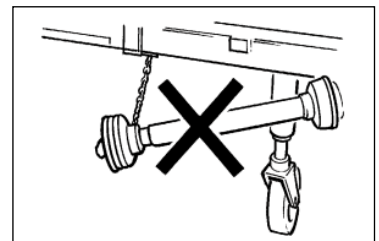
No other changes may be made to the PTO drive shaft and guard.

CHAINS

Chains must be fitted so as to allow sufficient articulation of the shaft in all working positions.



The PTO drive shaft must not be suspended from the chains!



NOTES



Certificate of CE Conformity

Machine Model:

FLC110, FLC125, FLC140

Description:

FLAIL MOWER

*I hereby certify that the machine detailed hereon
conforms to:*

**European Directives 2008/42/EC
Supply of Machinery Regulations 2008
As amended 91/368EEC – 93/44EEC – 93/68EEC
HSE AIS 33**

Signed:

A handwritten signature in black ink, consisting of a large, stylized 'R' followed by a horizontal line and a flourish.

.....
Quality Manager

Date:

September 2012

Wessex International

Charlton House, Caxton Place, East Portway Industrial Estate, Andover, Hampshire SP10 3QN
Telephone: 01264 345870 Fax: 01264 345 880

www.wessexintl.com



Wessex International
Charlton House, Caxton Close, East Portway Industrial Estate, Andover Hampshire. SP10 3QN
Telephone: 01264 345870 Fax 01264 345880
e-mail: sales@wessexintl.com

www.wessexintl.com
