



*Country*

**ROTARY  
CULTIVATOR**

**OPERATOR'S MANUAL  
AND PARTS  
LIST**



Carefully read this manual  
before using the machine

# Operator's Manual

# TILLERS

**SAK 100. SAK 120.**



No part of this manual shall be reproduced, copied or disseminated by any means, without Wessex Machinery Sales prior authorization in writing.

Wessex Machinery Sales reserves the right to make any necessary changes without giving prior notice, in order to optimize the quality and safety features and does not commit itself to updating this manual every time a change is made.

This booklet provides a thorough and accurate description of the instruction and maintenance activities to be carried out on the tiller you purchased. We congratulate you on your choice and urge you to thoroughly familiarize yourself with and follow the instructions contained in this manual. This will assure you a long, safe and trouble free working life for your tiller.

**The Wessex Machinery Sales shall not assume any responsibility should problems arise as a result of lack of compliance with the instructions and/or operator's negligence.**

The manual is divided in chapters and paragraphs and the pages are numbered, thus offering accurate and precise information.

The requested information can be easily found by searching the key words or referring to the index.

## INDEX

### GENERAL INFORMATION

- Symbols Page 5
- Safety Labels Page 6
- Technical data Page 7
- Main Parts terminology Page 7
- Identification Plates Page 8
- Recommended Use Page 8
- Inappropriate Use Page 8
- Torque Specification Page 8

### SAFETY

- Safety in the workplace Page 9
- User's requirements Page 9
- Work Clothing Page 9
- General Safety norms Page 9

### SET UP

- Attachment to the tractor Page 11
- Connection of the PTO Shaft Page 12
- Working depth adjustment Page 13
- Drag board adjustment Page 13
- Chain adjuster Page 14
- Start up Page 14
- Road transport Page 14
- Shut down Page 14

### MAINTENANCE

- First check Page 16
- Every 8 working hours Page 16
- Every 50 working hours Page 16
- Every 500 working hours Page 16
- Blades replacement Page 17
- How to order spare parts Parts 18

## GENERAL INFORMATION

### SYMBOLS

This booklet contains three "safety graphic symbols" to highlight as many danger levels or important information:



It draws the operator's attention to situations which can jeopardize people's safety.



It draws the attention to situations which jeopardize the machine efficiency but not people's safety.



It highlights general information which does not endanger people's safety or the efficiency of the parts.

---

**SAFETY LABELS**

The safety labels and information on the machine (picture 1, 2 and 3), must be complied with. Failure to comply with these warnings may result in severe injuries or even death. Make sure that the labels are always present and legible; should this not be the case, contact your nearest dealer to request replacements.

**1**

**DANGER**

1. MAKE SURE DRIVELINES ARE OF THE CORRECT LENGTH AND PROPERLY CONNECTED. DRIVELINE SEPARATION AND/OR PTO STUB SHAFT FAILURE CAN CAUSE INJURY OR DEATH. (See Operator's Manual for procedure)

SEE MANUAL FOR MINIMUM OVERLIFT & MAXIMUM MAXIMUM LENGTHS

NOT TIGHTENING OUT

2. MAKE SURE THAT DRIVELINE SHIELDS ARE INSTALLED CORRECTLY AND TURN FREELY TO AVOID INJURY OR DEATH FROM ENT ANGLEMENT

3. MAKE SURE THAT DRIVELINE IS INSTALLED CORRECTLY ON TRACTOR PTO SHAFT. MOVE YOKE BACK AND FORTH UNTIL LOCKING COLLAR CLICKS FORWARD AND LOCKS YOKE IN PLACE.

4. 540 PTO RPM UNLESS SPECIFICALLY MARKED OTHERWISE.

471981

**DANGER**

FAILING TO FOLLOW SAFETY MESSAGES AND OPERATING INSTRUCTIONS CAN CAUSE SERIOUS BODILY INJURY OR EVEN DEATH TO OPERATOR AND OTHERS IN THE AREA.

1. READ OPERATOR'S MANUAL CAREFULLY AND PAY ATTENTION TO SAFETY DECALS FOR TRACTOR AND TILLER THOROUGHLY TO AVOID MISUSE, ABUSE, AND ACCIDENTS. PRACTICE BEFORE OPERATING	2. SEAT BELTS, ROPS AND FASTENED SEAT BELT TO AVOID INJURY AND POSSIBLE CRUSHING DEATH FROM OVERTURN. ALLOW NO RIDERS ON TRACTOR OR TILLER. FALLING OFF CAN CAUSE SERIOUS INJURY OR DEATH BY BEING RUN OVER BY TRACTOR OR TILLER OR BY BEING CUT BY THE ROTATING TILLER BLADES. ALLOW NO CHILDREN ON OR NEAR TILLER OR TRACTOR.	3. SAFETY SHOES, HARD HAT, SAFETY GLASSES	4.
5. TRANSPORT SAFELY	6. USE SMW, LIGHTS, & REFLECTORS.	7. DO NOT OPERATE WITH TILLER RAISED	8. MOUNTING & DISMOUNTING

471982

**3**

**WARNING**

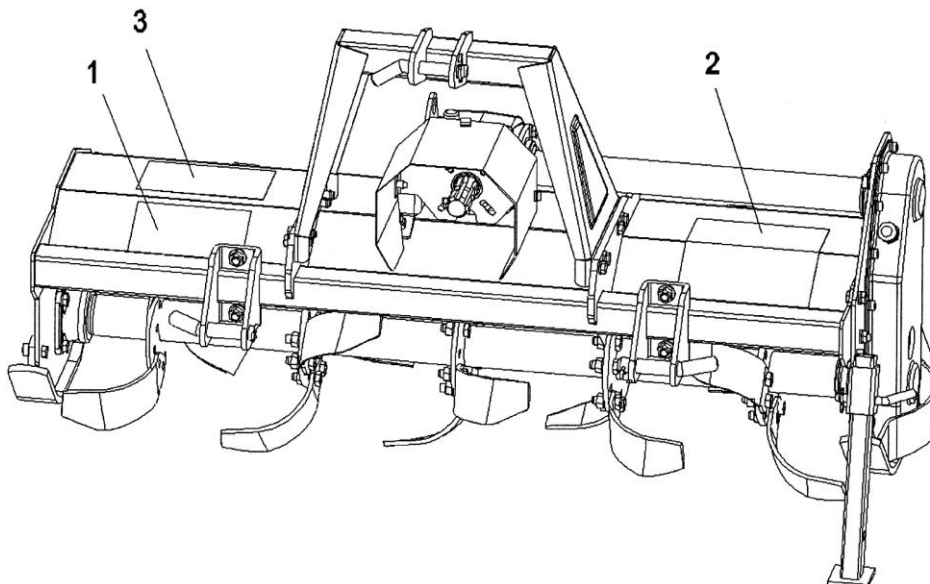
SHIELDS AND DEFLECTORS MAINTAINED IN BAD CONDITION MAY CAUSE INJURY OR DEATH FROM ENTANGLEMENT WITH ROTATING PARTS, BEING HIT BY OBJECTS THROWN WITH GREAT FORCE BY BLADES, OR BY BLADE CONTACT.

- Always replace Guards which have been removed for maintenance. Never operate with guard missing or broken.
- Chain Guards, Gearbox, Drivelines Shields, eventual Rubber-fabric Deflectors, and solid band enclosures are subject to wear and lost or broken parts must be replaced or repaired as soon as damage is found.
- Safety shielding must be installed and in good condition to avoid the possibility of thrown objects when the machine is operated in any area where thrown objects could cause injury.

SHIELD

DEFLECTOR

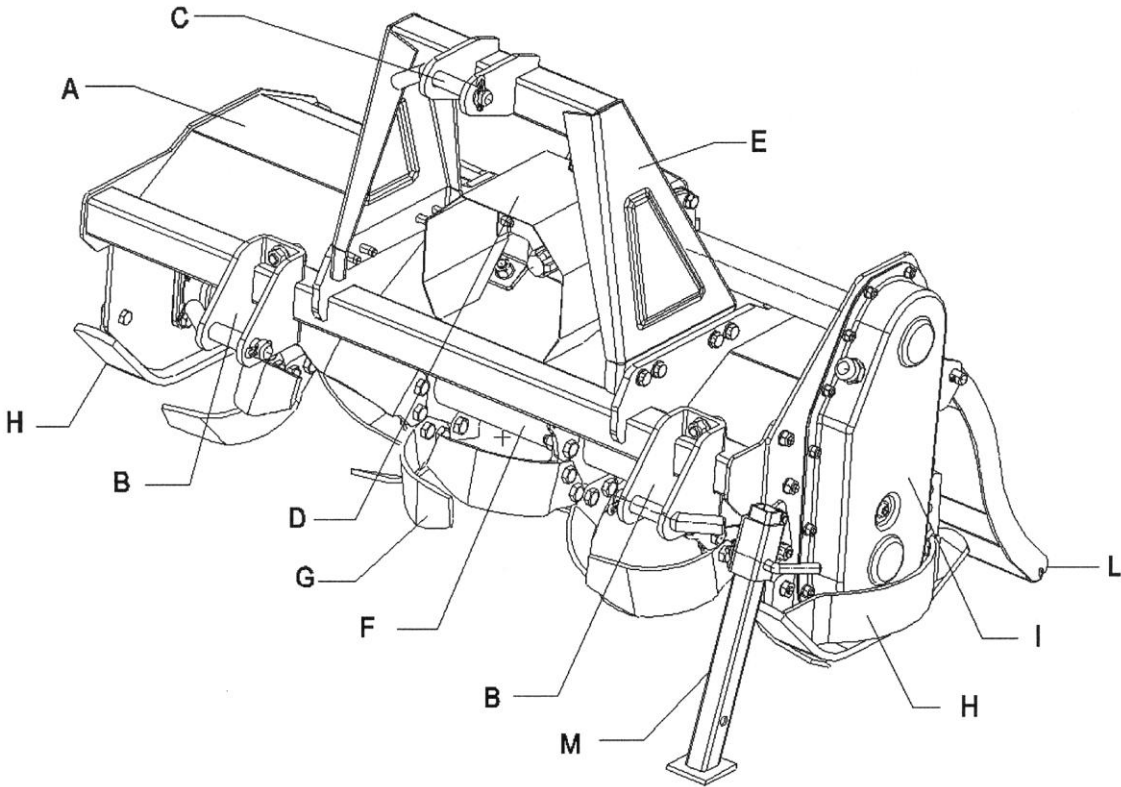
471986



**TECHNICAL DATA**

Model	Width		HP	Weight (Approx)		Working Depth (Max)		Side Drive		Blades (Qty)	Blades	
	cm	Inches		kg	lbs	cm	Inches	Chain	Gear		Blades/ /flange	Shape
SAK	100	40	20-35	130	286	18	7	Y	N	16	4	Curved
	120	48	20-35	145	320	18	7	Y	N	20	4	Curved

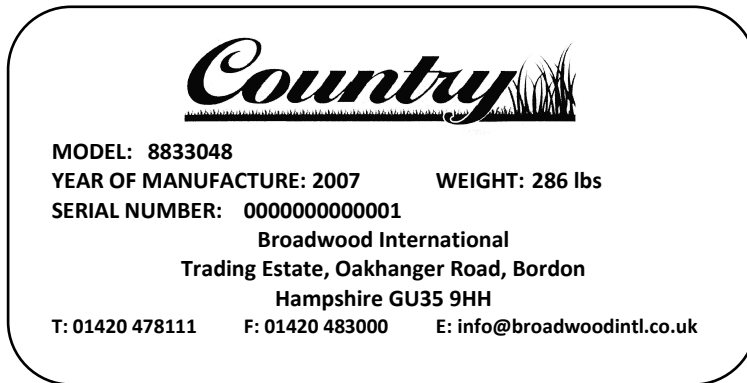
**MAIN PARTS TERMINOLOGY**



- A) Main Frame
- B) Lower Hitch Blocks
- C) Top Link Coupling
- D) PTO Guard
- E) Third Point Mast
- F) Rotor
- G) Tines
- H) Skids
- I) Transmission case
- L) Rear Board
- M) Stand leg

**IDENTIFICATION PLATES**

The identification plates are placed on all the tillers and are structured as follows:



**RECOMMENDED USE**

The tillers described in this instruction and maintenance manual, have been designed explicitly to till the land. Any other use jeopardizes the operator's safety and the machine integrity.

**INAPPROPRIATE USE**

The tillers shall not be used as follows:

- Connected to vehicles which do not have a suitable power or weight.
- Without being properly installed by securing the hitch blocks to all three points of the tractor lift unit.
- Tilling of extremely stony or unsuitable ground.
- Raising or lifting of the equipment when the power take-off is engaged.
- In close proximity to person/s when power is engaged.
- Do not stand or step on the equipment when it is being operated or transported.
- Do not operate the machinery while wearing unsuitable (loose fitting) clothing.

**TORQUE SPECIFICATIONS**

For correct hardware tightening on the tiller, we suggest the use of suitable torque wrench and the applicable torque as listed in the table below:

M-THREADED SCREW/BOLTS				
Bolt grade				
Thread	8.8		10.9	
	Nm	Lb-ft	Nm	Lb-ft
<b>M6</b>	<b>11</b>	<b>8.5</b>	<b>17</b>	<b>12</b>
<b>M8</b>	<b>28</b>	<b>20</b>	<b>40</b>	<b>30</b>
<b>M10</b>	<b>55</b>	<b>40</b>	<b>80</b>	<b>60</b>
<b>M12</b>	<b>95</b>	<b>70</b>	<b>140</b>	<b>105</b>
<b>M14</b>	<b>150</b>	<b>110</b>	<b>225</b>	<b>165</b>
<b>M16</b>	<b>240</b>	<b>175</b>	<b>305</b>	<b>225</b>
<b>M18</b>	<b>330</b>	<b>250</b>	<b>475</b>	<b>350</b>



## SAFETY

### SAFETY IN THE WORKPLACE

Most of the accidents, which occur while the operator is using the machine or the equipment or carrying out maintenance and repair activities, are caused by the non-compliance with the main safety requirements.

Therefore the potential risks must be fully understood and special attention must be paid to the activity which is being executed.

**If potentially dangerous situations are known,  
accidents can be prevented!**

### USER'S REQUIREMENTS

The equipment user must have the following:

**Physical:** good sight, co-ordination and capability to execute all instructions in a safe manner.

**Mental:** the users must understand and follow the prescribed norms, rules and safety measures. They must be careful, pay attention to their own safety and the safety of other people and act properly and in a responsible way.

**Training:** the users must read and understand this manual, its pictures and charts, and the identification and hazard plates. They must be specialised, trained and qualified on any use and maintenance activities.

### WORK CLOTHING

The following clothing and personal protective equipment must be used when working and executing maintenance and repair activities:

- Overalls or any other comfortable outfit; make sure that they are not too loose since they might be caught by moving parts.
- Protective gloves.
- Goggles or mask to protect the eyes and face.
- Safety helmet
- Safety shoes.



**Make Sure that personal protective equipment is properly stored and complies with the laws in force.**

### GENERAL SAFETY NORMS

**The features of the area where work is taking place must always be taken into consideration:**

- Do not stand in the working radius of the operating machinery or any other machine accessories when the equipment is running.

**Prepare the work:**

- Do not drink alcohol; take drugs, or any other substances which may affect your ability to use the equipment before or when working.
- Make sure that there is sufficient fuel in the tractor to prevent the machine from stopping during work.
- Do not use the equipment under unsafe conditions, e.g. do not make temporary repairs just to start or keep working; do not work at night if the area is not well illuminated.

**When working or executing maintenance activities, remember:**

- The labels and stickers providing instructions on the use of the equipment or information on dangers must not be removed or hidden, and must be legible.
- Do not remove the safety devices, covers and safety guards, unless maintenance activities are being carried out. If the safety devices must be removed, turn the engine off, remove them correctly and re-install them before turning the tractor on.
- Do not lubricate, clean or adjust moving parts.
- Use the appropriate tools to execute maintenance or adjustment activities on the equipment.
- Do not use damaged or unsuitable tools, e.g. pliers rather than wrenches etc.
- Prior to carrying out activities on hydraulic lines under pressure, or disconnecting their components, make sure that the line is no longer under pressure and that it does not contain any hot fluids.
- Check all the fittings and make sure that they are well connected before supplying pressure to the hydraulic lines.
- Make sure that no tools, clothes or any other materials are left in areas where moving parts are present when the maintenance and repair activities are completed.
- Do not give directions and make signals at the same time during a manoeuvre. Manoeuvre directions and signals must be given from one person only.
- Do not unexpectedly call an operator, if not necessary. Do not startle the operator, e.g. by throwing objects.
- Pay attention to people in the vicinity of the work area, especially children!
- Make sure that nobody is standing in the working range of the equipment.
- Do not use the equipment to lift people.
- When the equipment is not needed, turn the engine off; leave the vehicle on a flat surface, with the first gear and the parking brake engaged. Disengage the power take off.
- Do not execute any cleaning, lubrication, repair or adjustments when the engine is running and the equipment is in the raised position.
- Do not work on steep slopes, if the stability of the vehicle can be jeopardised.

Wessex Machinery Sales shall not assume any responsibilities if these instructions are not strictly followed.

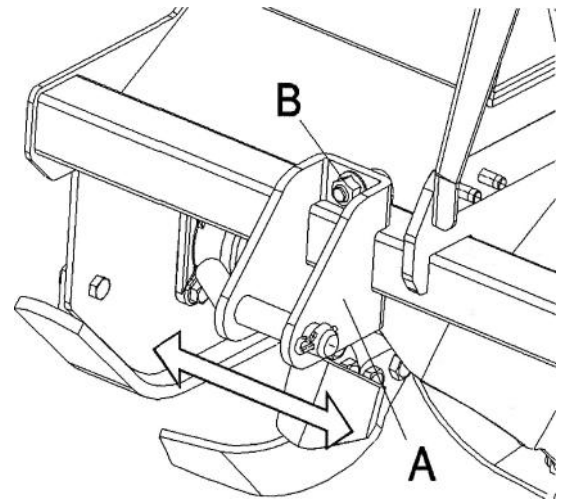
## SETUP

### ATTACHMENT TO THE TRACTOR

Carefully read this instruction manual and the manuals of the tractor and PTO shaft manufacturer. All tillers are built to be attached to any tractor equipped with a three point lift of the correct category and with suitable ball ends.

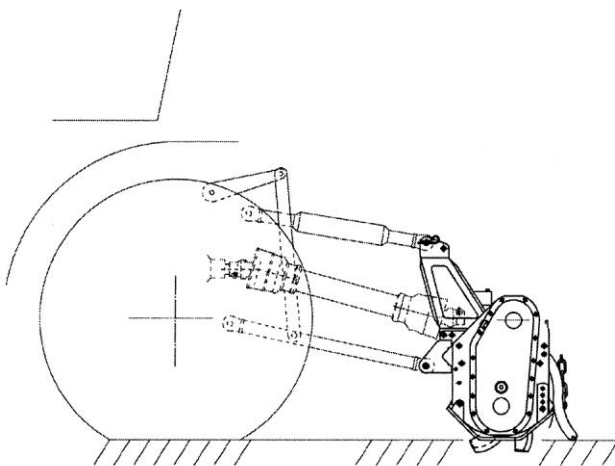
Before attaching the equipment to the tractor, make sure that the ground is smooth and flat and that nobody is standing between the tractor and the tiller; slowly move the tractor towards the tiller by aligning the tractor lifter arms with the two tiller coupling side pins; turn the engine off and pull the brake.

It is possible to adjust the attachment position releasing the bolts B (picture 1) and modifying the position of the plates A. Tighten the bolts after making any adjustment.



picture 1

After adjusting the couplers, connect the lower arms by removing the catch pins from the pins located on the hitch blocks, inserting the lift arm pins through the hitch block and ball ends and secure them by means of the pins which were previously removed.



picture 2

Connect the tractor top link to the third upper point by removing the pin located between the two plates, inserting the top link and securing it by means of the pin.

Adjust the top link so that the upper part of the frame is parallel to the ground. Block all the linking parts by means of the sway chains or arms.

Make sure that the central unit axis (case/bevel gear pair) is parallel to the ground, thus minimising the stresses on the power take off and increasing the working life of the equipment.



After executing all of the above activities, make sure that all the nuts and bolts are tightened.

## CONNECTION OF THE PTO SHAFT

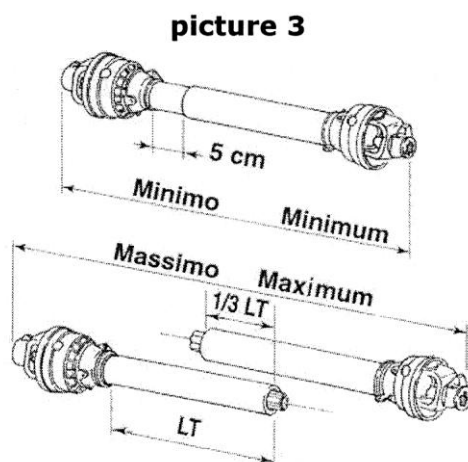
Before installing the PTO shaft make sure that the RPM rating and the direction of rotation match those of the tractor. Carefully read the PTO shaft and tractor instructions.

Furthermore, accurately read the instructions of the manufacturer of the PTO shaft and of the tractor.

Before starting any activity, make sure that the guards are installed on the power take off of the tractor and PTO shaft. Make sure that they cover the PTO shaft throughout its length.



When fully extended, the plastic pipes must overlap by at least  $\frac{1}{3}$  of the length of the pipes (LT). When retracted, the min acceptance clearance is 5cm (picture 3).



Check that the PTO shaft min. and max. lengths are within the parameters of the machine-tractor coupling. Should problems arise, contact your dealer. After the installation, anchor the PTO shield to the tractor and machine using the special chains; make sure that it turns smoothly. If the PTO shaft is equipped with safety devices, e.g. torque limiters or free-wheel devices, install them on the operative machine side. For the use and maintenance of the PTO shaft, please refer to the relevant manual.

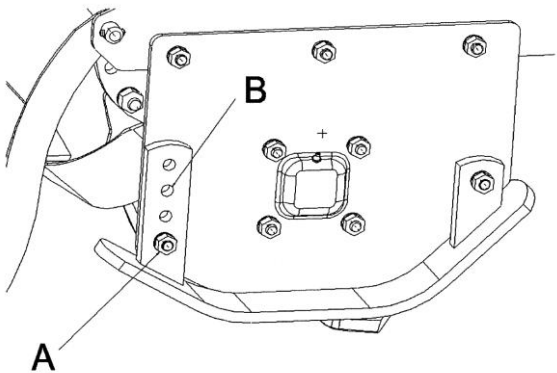
## WORKING DEPTH ADJUSTMENT

The working depth of the equipment depends on the position of the lateral skids.

If the skids are raised, the working depth increases; if the skids are lowered, the working depth decreases.

Make sure that the skids are set at the same height on both sides.

picture 4

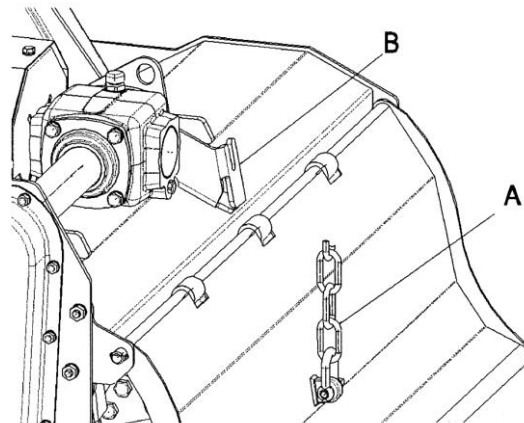


To adjust the working depth on the SAK tillers loosen and remove nut A (picture 4) and adjust the skid height according to the holes B. When the adjustment is completed, tighten the screws.

## DRAG BOARD ADJUSTMENT

The height of the rear drag board can be adjusted, making the ground more compact and smooth. Release the chain A (picture 5) and reengage it at the desired height B.

picture 5

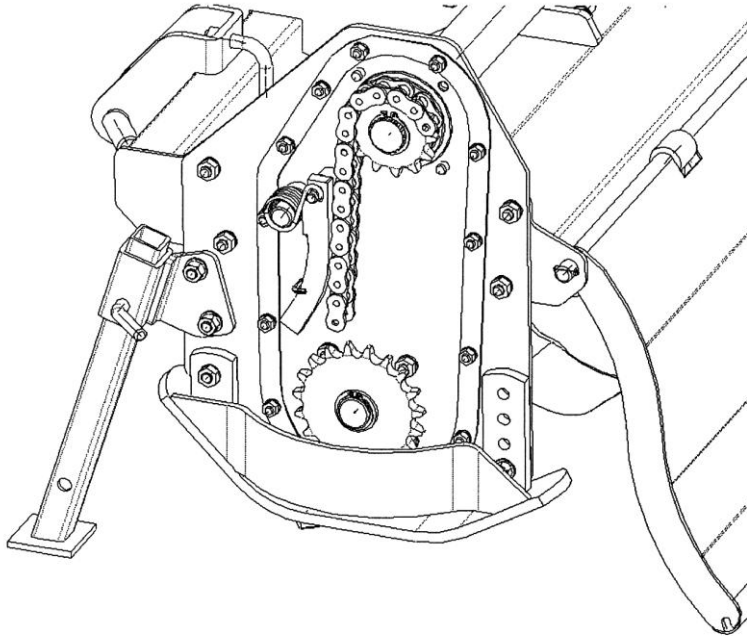


These activities must be carried out with the engine off, the power take off disengaged and the hand brake applied. If needed, lift the equipment and place it on supports, thus preventing any injuries that might be caused by a sudden fall of the equipment.

## CHAIN ADJUSTER

The SAK tillers are equipped with a chain drive (picture 6). The chain adjustment is made during assembly; any adjustments when using the machines, must be carried out by an authorised dealer or work shop.

picture 6



## START UP

After carrying out these adjustments, the equipment is ready for use. When at the working area, do not start the power take off with the tiller in working position in the ground. Be sure to lift it by a few centimetres using the tractor lift. Start the engine, engage the power take off, and lower the equipment to its working position and start.

## ROAD TRANSPORT

With reference to road transport, follow local traffic regulations.

## SHUT DOWN

The following activities are recommended if the tiller will not be used for a long period of time:

- 1 Clean and dry the equipment.
- 2 Inspect the equipment and replace the damaged or worn parts if necessary.
- 3 Tighten all the screws and nuts.

Lubricate and cover the machine with a tarpaulin and store it in a dry place.

## MAINTENANCE

Maintenance is crucial for the working life and efficiency of any agricultural equipment. If the equipment is properly maintained and operated, a long working life and operator safety are assured.

The maintenance intervals indicated in this booklet are provided as a mere reference and are related to normal working conditions; changes may occur depending on the type of activities, environmental dust, seasonal factors, etc.



- **Before injection lubricating grease into the grease fittings, clean the fittings to prevent mud, dust, or any other foreign matter from contaminating the grease and reducing the lubrication effect.**
- **When adding or changing the oil, use the same type of oil to prevent mixing oils with different features.**
- **All maintenance activities must be carried out with the tiller resting horizontally on the ground.**
- **After using the equipment for a few hours**

**FIRST CHECK**

- After 50 working hours, change the oil in the gearbox and make sure that all the screws and bolts are tightened.

**EVERY 8 WORKING HOURS**

- Grease the rotor support through the grease nipple A (picture 7).
- Grease the PTO shaft crosses.

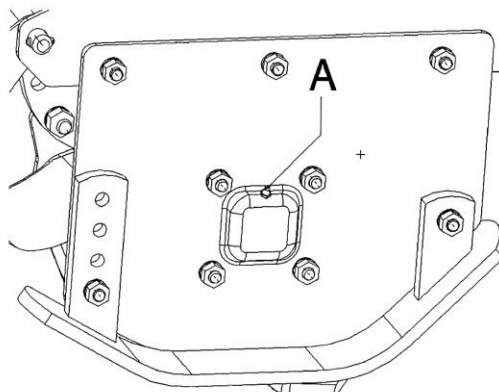
**EVERY 50 WORKING HOURS**

- Check the oil level in the gearbox (A - picture 8) and in the side transmission (A - picture 9). If needed add SAE EP 80W90 oil.
- Make sure that all the screws and bolts, especially on the blades, are tightened.

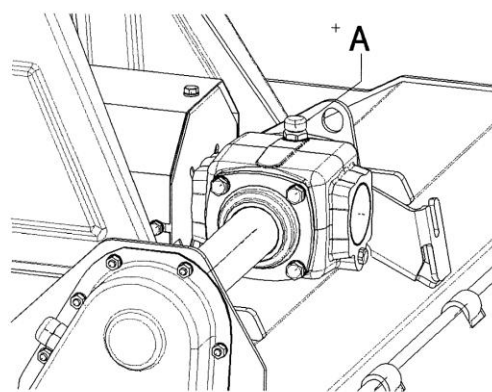
**EVERY 500 WORKING HOURS**

- Change the oil of the case/bevel gear pair, side transmission and rotor support; use SAE EP 80W90 oil. Contact the closest dealer for this maintenance activity.

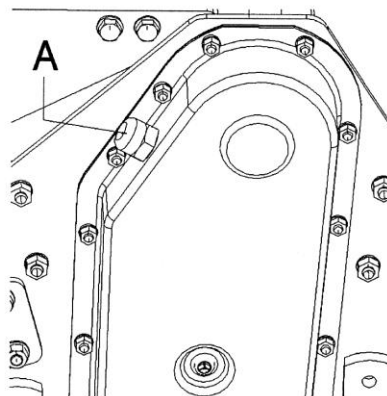
picture 7



picture 8



picture 9



The old oil must be disposed of in compliance with the local laws where these activities are carried out; do not spill or dispose of waste oil on the ground.



The maintenance of activities must be carried out with the engine off, the power take off disengaged, the parking brake engaged, and the equipment placed on the ground.



## BLADE REPLACEMENT

To assure the optimum efficiency of the machine, make sure that the tiller blades are in a good working condition and that their bolts are tightened; replace them if they are broken or bent. The new parts must be installed in the original position.

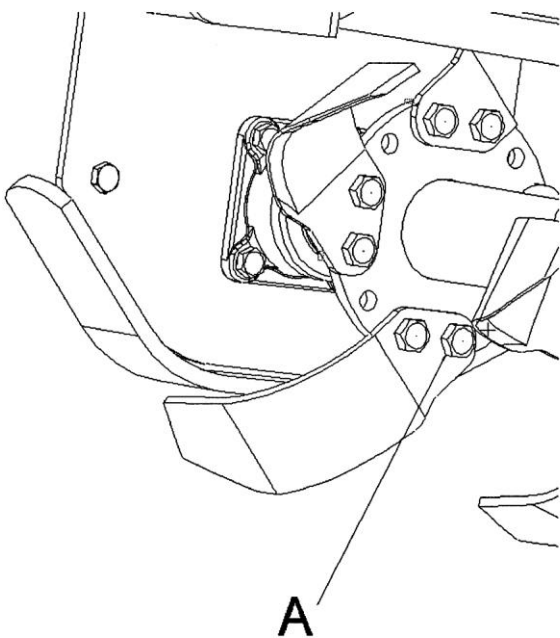


**Before replacing the blades, turn the tractor engine off, pull the parking brake, disengage the power take off, raise the tiller using the tractor lift, and install supports to prevent accidental dropping of the machine.**

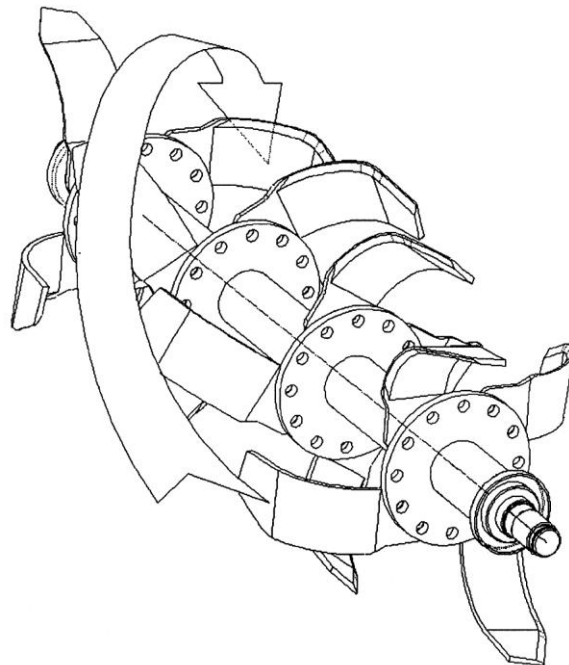
Pay special attention to the bolts A on the blades (picture 10): the screw head must be placed on the blade side, with the washer and the nut on the flange side, so that the bolts cannot loosen while the equipment is being used.

When several blades must be replaced, replace one blade at a time, so that the initial helical layout is maintained (picture 11).

**picture 10**



**picture 11**



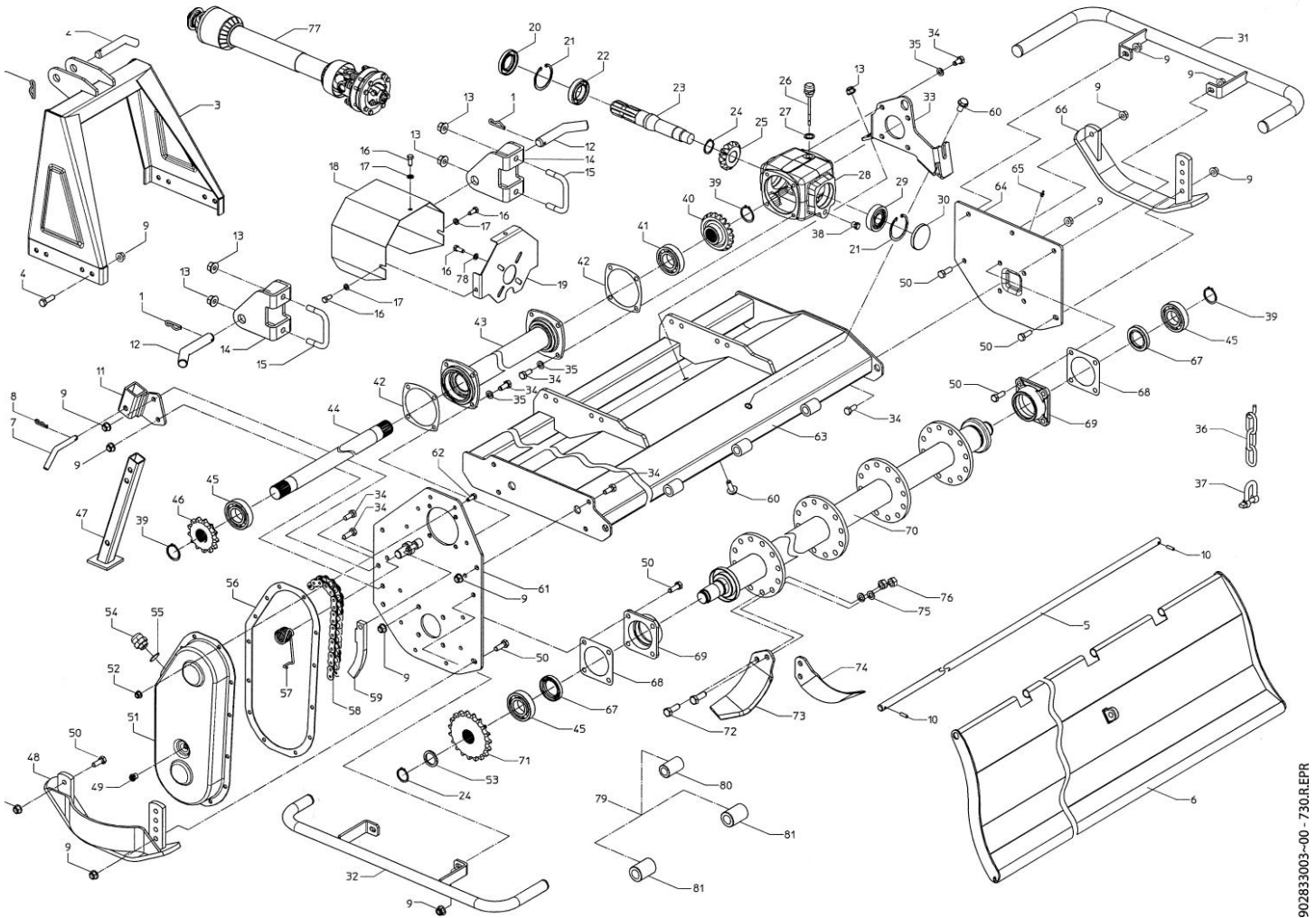
## **HOW TO ORDER SPARE PARTS**

For spare parts requests please refer to our spare parts catalogue.

The spare parts can be ordered from the dealer or service centre. The following data must always be specified:

- Equipment type and width.
- Part number of the requested component. If the code number is missing, indicate the table number in which it is shown and the relevant reference.
- Description of the part and requested quantity.
- Requested type of transport. Should this information not be provided, the dealer or service centre shall not be responsible for delays caused by circumstances beyond their control. The addressee shall be responsible for any transport charges.

Type: ROTARY TILLER  
Mod: SAK 100 (Offset Model) – SAK 120  
Rev: 00/2005  
Tab: 1/1



902833003-00 - 730.R.EPR

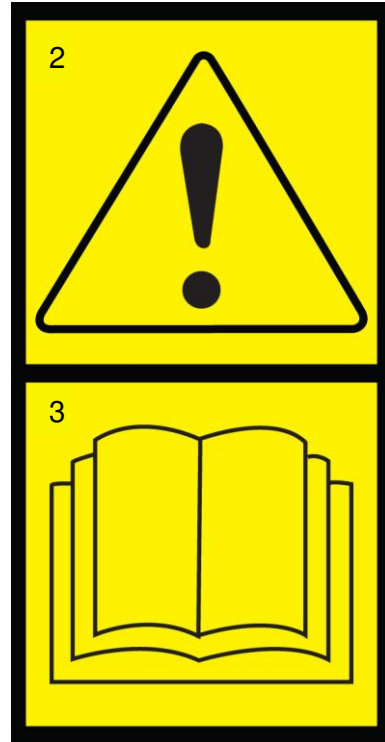
ITEM POS.	SIGMA P/N COD. SIGMA	DESCRIZIONE	DESCRIPTION	QTY QTA <sup>1</sup>
1	6351004	COPIGLIAAD"R"D.4	COTTER PIN \$4	3
2	4301589	PERNO 3° PUNTO SUPERIORS	PIN	1
3	4002816	CASTELLO 3° PUNTO SUPERIORS	BRACKET	1
4	31510035	VITE UNI 5739 M10x35 8.8 ZO	SCREW UNI 5739 M10X35 8.8	8
5	4232801	PERNO COPERCHIO SAK 100 DEC.	ROD SAK 100 OFFSET MOD.	1
5	4232802	PERNO COPERCHIO SAK 120	ROD SAK 120	1
6	4002811	COPERCHIO POSTERIORE SAK 100 DEC.	REAR BOARD SAK 100 OFFSET MOD.	1
6	4002812	COPERCHIO POSTERIORE SAK 120	REAR BOARD SAK 120	1
7	4236115	PERNO BLOCCAGGIO PIEDINO	PIN	1
8	6351003	COPIGLIAAD"R"D.3	COTTER PIN <-3	1
9	34129010	DADO AUTOB. M10 DIN 6927 8 ZO	STOP NUT M10 DIN 6927 8	29
10	6330620	SPINA UNI 6873 6x20	ELASTIC PIN UNI 6873 6x20	2
11	4001682	SUPPORTO PIEDINO	STAND LEG SUPPORT	1
12	4301590	PERNO 3° PUNTO INFERIORS	PIN	2
13	34129012	DADO AUTOB. M12X1.75 DIN 6927 8 ZO	STOP NUT M12X1.75 DIN 6927 8	5
14	4132814	ATTACCO 3° PUNTO INFERIORS	LOWER HITCH CLEVIS	2
15	4202801	CRAVATTA FISSAGGIO 3° P. INFERIORE M12	U-BOLT M12	2
16	31508016	VITE UNI 5739 M8x16 8.8 ZO	SCREW UNI 5739 M8x16 8.8	7
17	34026008	ROSETTA SCHNORR M8	"SCHNORR" WASHER M8	3
18	4131294	FASCIA PROTEZIONE GIUNTO	PTO GUARD	1
19	4131295	SUPPORTO FASCIA PROT. GIUNTO	PTO GUARD SUPPORT	1
20	6203562	PARAOILIO 35x62x10 PP	OIL SEAL 35x62x10 PP	1
21	6310062	SEEGER PER FORI D62 DIN 472	CIRCLIP INTERNAL \$62 DIN 472	2
22	2106007	CUSCINETTO 6007	BEARING 6007	1
23	12164-00	ALBERO PRESA DI FORZA Z6	INPUT SHAFT	1
24	6320030	SEEGER PER ALBERI D30 DIN 471	CIRCLIP EXTERNAL \$30 DIN 471	2
25	12264-00	PIGNONECONICOZ13	BEVEL PINION Z13	1
26	65316-01	TAPPO CON VALVOLA E LIVELLO M16	OIL PLUG	1
27	6470116	RONDELLA DI TENUTA M16 (Al/Cu)	WASHER M16	1
28	16564-00	CARTER COPPIA CONICA	GEARBOX	1
29	2730305	CUSCINETTO 30305	BEARING 30305	1
30	6100062	CAPPELLOTTO CHIUSURA 62x7	COVER \$62	1
31	4002821	PROTEZIONE	SIDE GUARD PROTECTION	1
32	4002820	PROT. LATO TRASMISSIONE SAK 100	TRANSMISSION SIDE PROTECTION SAK 100	1
32	4002821	PROTEZIONE	SIDE GUARD PROTECTION	1
33	4132815	SUPPORTO GRUPPO	GEARBOX SUPPORT	1
34	31510025	VITE UNI 5739 M10x25 8.8 ZO	SCREW UNI 5739 M10X25 8.8	21
35	34026010	ROSETTA SCHNORR M10	"SCHNORR" WASHER M10	12
36	4508702	CATENA COPERCHIO	COVER CHAIN	1
37	3680010	GRILLO D10ZO	HOOK (j)10	1
38	3441014	TAPPO DI SCARICO M14X1.5	OIL SEAL PLUG M14x1,5	1
39	6320035	SEEGER PER ALBERI D35 DIN 471	CIRCLIP EXTERNAL \$35 DIN 471	3
40	17264-01	CORONA CONICA Z19	BEVEL GEAR Z19	1
41	2226207	CUSCINETTO 6207 2RS	BEARING 6207 2RS	1
42	17864-00	GUARNIZIONE SUPPORTO ALBERO TRASSMISS.	GASKET	2
43	10064-11	SUPPORTO ALBERO TRASMISSIONE SAK 100 DEC.	SHAFT SUPPORT SAK 100 OFFSET MOD.	1
43	10064-12	SUPPORTO ALBERO TRASMISSIONE SAK 120	SHAFT SUPPORT SAK 120	1
44	12064-11	ALBERO TRASMISSIONE SAK 100 DEC.	TRANSMISSION SHAFT SAK 100 OFFSET MOD.	1
44	12064-12	ALBERO TRASMISSIONE SAK 120	TRANSMISSION SHAFT SAK 120	1
45	2106207	CUSCINETTO 6207	BEARING 6207	3
46	4701705	RUOTA DENTATA CONDUTTRICE Z13	DRIVING GEAR Z13	1
47	4001234	PIEDINO DI APPOGGIO	STAND LEG	1
48	4002817	SLITTA SX	LEFT SKID	1
49	3444014	TAPPO CON OBLO' M14	OIL PLUG M14	1
50	31510030	VITE UNI 5739 M10X30 8.8 ZO	SCREW UNI 5739 M10x30 8.8	12
51	4141103	CARTER TRASMISSIONE	DRIVE COVER	1
52	34129008	DADO AUTOB. MB DIN 6927 8 ZO	STOP NUT MS DIN 6927 8	13
53	6013010	RASAMENTO 30x40x1.5	SHIM	1
54	3442022	TAPPO CON VALVOLA M22X1.5	OILPLUGM22X1.5	1
55	6470118	RONDELLA DI TENUTA M22 (Al/Cu)	WASHER M22	1
56	4781621	GUARNIZIONE CARTER TRASMISSIONE	GASKET	1
57	4211263	MOLLATENDICATENA	CHAIN ADJUSTER SPRING	1
58	6700019	CATENA ASA 60HE 46 MG	CHAIN ASA 60HE 46 MG	1
59	4001606	PATTINO PER CATENA	CHAIN ADJUSTER	1
60	33512025	VITE FLANG. M12x25 DIN 6921 8.8 ZO	SCREW DIN 6921 M12X25 8.8	2
61	4001124	PIASTRA LATO TRASSMISS.	TRANSMISSION SIDE PLATE	1
62	31508020	VITE UNI 5739 M8x20 8.8 ZO	SCREW UNI 5739 M8x20 8.8	13
63	4002801	TELAIO SAK 100 DECENTRATA (OFFSET=100 mm)	FRAME SAK 100 OFFSET MOD. (OFFSET=4")	1
63	4002802	TELAIO SAK 120	FRAME SAK 120	1
64	4931115	PIASTRA LATO ESTERNO	EXTERNAL PLATE	1
fin			PIPPACP MIDDI C MII I IM1 7RRT A	Λ

66	4001123	SLITTA DX	RIGHT SKID	1
67	6204062	PARAOILIO 40x62x10 PP	OIL SEAL 40x62x10 PP	2
68	4781622	GUARNIZIONE SUPPORTO CUSCINETTO	BEARING SUPPORT GASKET	2
69	4701624	SUPPORTO CUSCINETTO ROTORE	BEARING SUPPORT	2
70	4002805	ROTORE PORTAZAPPE SAK 100 DEC. (4 FLANGE)	ROTOR SAK 1 00 OFFSET MOD. (# 4 FLANGES)	1
70	4002806	ROTORE PORTAZAPPE SAK 120 (5 FLANGE)	ROTOR SAK 120 (# 5 FLANGES)	1
71	4201617	RUOTA DENTATA CONDOTTA Z19	DRIVEN GEAR Z19	1
72	31512030	VITE UNI 5739 M12X30 8.8 ZO	SCREW UNI 5739 M12X30 8.8	32 (SAK 100)
72	31512030	VITE UNI 5739 M12X30 8.8 ZO	SCREW UNI 5739 M12x30 8.8	40 (SAK 120)
73	4811786	ZAPPA CURVA SX	LEFT CURVE BLADE	8 (SAK 100)
73	4811786	ZAPPA CURVA SX	LEFT CURVE BLADE	10 (SAK 120)
74	4811785	ZAPPA CURVA DX	RIGHT CURVE BLADE	8 (SAK 100)
74	4811785	ZAPPA CURVA DX	RIGHT CURVE BLADE	10 (SAK 120)
75	34121012	ROSETTAUNI 1751 M12ZO	WASHER UNI 1751 M12	32 (SAK 100)
75	34121012	ROSETTAUNI 1751 M12ZO	WASHER UNI 1751 M12	40 (SAK 120)
76	34100012	DADO UNI 5587 M12ZO	NUT UNI 5587 M12	32 (SAK 100)
76	34100012	DADO UNI 5587 M12ZO	NUT UNI 5587 M12	40 (SAK 120)
77	EAX41 050-5488	GIUNTO AX4 500/739 E1014013-E1334030 CP SE	DRIVELINE AX4 500/739 E1014013-E1334030 CP SE	1
78	34120008	ROSETTA UNI 6592 M8 ZO	WASHER UN I 6592 M8	4
79	8833003	KIT BOCCOLE C (I CAT.)	QUICK HITCH (I CAT.) BUSHING KIT	1
80	4531714	BOCCOLA QUICK HITCH 3° PUNTO SUPERIORE	QUICK HITCH (I CAT.) UPPER BUSHING	1
81	4531713	BOCCOLA QUICK HITCH 3° PUNTO INFERIORS	QUICK HITCH (I CAT.) LOWER BUSHING	2

**SAFETY LABELS**



<p>1</p> <p>ATTENTION: Description of pictograms.</p>	<p>2</p> <p>Do not use without PTO shaft guard.</p>	<p>3</p> <p>Never remove guards or attempt adjustment until rotor has stopped.</p>
<p>4</p> <p>Read operating manual before use.</p>	<p>5</p> <p>Ear defenders must be worn.</p>	<p>6</p> <p>Bystanders must be at least 20 metres from machine range of action.</p>



<p>1</p> <p>Protective eyewear, footwear, gloves and ear protectors must be worn.</p>	<p>2</p> <p>ATTENTION: Description of pictograms.</p>	<p>3</p> <p>Read operating manual before use.</p>
---	---	---