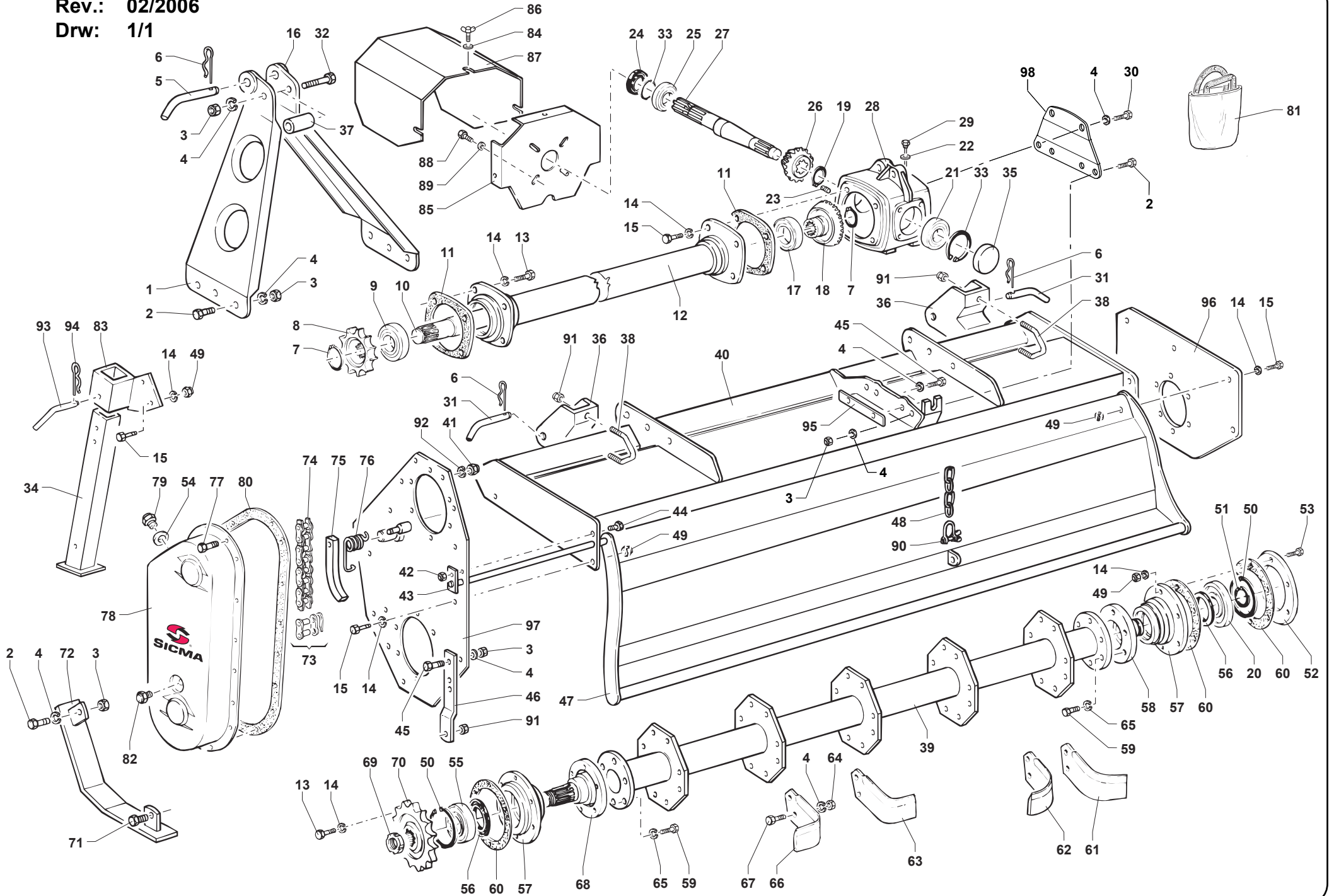


Mod.: RC CULTIVATORS

Rev.: 02/2006

Drw: 1/1



RIF.	CODICE	DENOMINAZIONE	DESCRIPTION	BENENNUNG	DESIGNATION
1	4001329	Attacco 3° punto superiore sx	Junction for 3 rd point	Verbindungstück 3° punkt	Support 3° point
2	31512030	Vite M12x1,75x30 UNI 5739	Screw M12x1,75x30 UNI 5739	Schraube M12x1,75x30 UNI 5739	Vis M12x1,75x30 UNI 5739
3	34100012	Dado M12 PG UNI 5587	Nut M12 PG UNI 5587	Mutter M12 PG UNI 5587	Ecrou M12 PG UNI 5587
4	34121012	Rondella grower ø 12 UNI 1751	Washer ø 12 UNI 1751	Scheibe ø 12 UNI 1751	Rondelle ø 12 UNI 1751
5	4301589	Perno 3° punto superiore ø 19	Pin ø 19	Bolzen ø 19	Axe ø 19
6	6351004	Copiglia a "R" ø 4	Split pin "R" ø 4	Splint "R" ø 4	Couille "R" ø 4
7	6320035	Seeger E ø 35	Circlip E ø 35	Seegersicherung E ø 35	Bague d'arrêt E ø 35
8	4701359	Ingranaggio conduttore Z=11	Driving gear Z=11	Zahnrad Z=11	Engrenage Z=11
9	2226307	Cuscinetto 6307 2RS	Bearing 6307 2RS	Lager 6307 2RS	Roulement 6307 2RS
10	4211201	Albero corona ZLL-080	Shaft ZLL-080	Welle ZLL-080	Arbre ZLL-080
10	4211202	Albero corona ZLL-090	Shaft ZLL-090	Welle ZLL-090	Arbre ZLL-090
10	4211203	Albero corona ZLL-100	Shaft ZLL-100	Welle ZLL-100	Arbre ZLL-100
10	4211204	Albero corona ZLL-110	Shaft ZLL-110	Welle ZLL-110	Arbre ZLL-110
10	4211205	Albero corona ZLL-120	Shaft ZLL-120	Welle ZLL-120	Arbre ZLL-120
10	4211206	Albero corona ZLL-130	Shaft ZLL-130	Welle ZLL-130	Arbre ZLL-130
10	4211207	Albero corona ZLL-140	Shaft ZLL-140	Welle ZLL-140	Arbre ZLL-140
11	4781265	Guarnizione supp. trasmissione	Gasket	Dichtung	Garniture
12	4001280	Supporto albero corona ZLL-080	Support ZLL-080	Halterung ZLL-080	Support ZLL-080
12	4001281	Supporto albero corona ZLL-090	Support ZLL-090	Halterung ZLL-090	Support ZLL-090
12	4001282	Supporto albero corona ZLL-100	Support ZLL-100	Halterung ZLL-100	Support ZLL-100
12	4001283	Supporto albero corona ZLL-110	Support ZLL-110	Halterung ZLL-110	Support ZLL-110
12	4001284	Supporto albero corona ZLL-120	Support ZLL-120	Halterung ZLL-120	Support ZLL-120
12	4001285	Supporto albero corona ZLL-130	Support ZLL-130	Halterung ZLL-130	Support ZLL-130
12	4001286	Supporto albero corona ZLL-140	Support ZLL-140	Halterung ZLL-140	Support ZLL-140
13	30210020	Vite M10x1,5x20 UNI 5739	Screw M10x1,5x20 UNI 5739	Schraube M10x1,5x20 UNI 5739	Vis M10x1,5x20 UNI 5739
14	34021010	Rondella grower ø 10 UNI 1751	Washer ø 10 UNI 1751	Scheibe ø 10 UNI 1751	Rondelle ø 10 UNI 1751
15	30010025	Vite M10x1,5x25 UNI 5739	Screw M10x1,5x25 UNI 5739	Schraube M10x1,5x25 UNI 5739	Vis M10x1,5x25 UNI 5739
16	4001328	Attacco 3° punto superiore dx	Junction for 3 rd point	Verbindungstück 3° punkt	Support 3° point
17	2106307	Cuscinetto 6307	Bearing 6307	Lager 6307	Roulement 6307
18	17265-01	Corona conica Z=19	Ring bevel gear Z=19	Kegelrandkranz Z=19	Couronne conique Z=19
19	6320030	Seeger E ø 30	Circlip E ø 30	Seegersicherung E ø 30	Bague d'arrêt E ø 30
20	2106308	Cuscinetto 6308	Bearing 6308	Lager 6308	Roulement 6308
21	2730305	Cuscinetto 30305	Bearing 30305	Lager 30305	Roulement 30305
22	6402716	Guarnizione tappo	Gasket	Dichtung	Garniture
23	6481600	Tappo scarico olio	Plug	Stopfen	Bouchon
24	6203562	Paraolio ø 35x62x10 PP	Oil seal ø 35x62x10 PP	Oelabdichtung ø 35x62x10 PP	Pare-huile ø 35x62x10 PP
25	2106007	Cuscinetto 6007	Bearing 6007	Lager 6007	Roulement 6007
26	17265-00	Pignone conico Z=13	Bevel pinion Z=13	Kegelritzel Z=13	Pignon conique Z=13
27	4211212	Albero input Z=6	Shaft Z=6	Welle Z=6	Arbre Z=6
28	16565-00	Carter coppia conica	Gearbox	Gehäuse	Carter
29	65316-05	Tappo sfiato con livello	Plug	Stopfen	Bouchon
30	31512025	Vite M12x1,75x25 UNI 5739	Screw M12x1,75x25 UNI 5739	Schraube M12x1,75x25 UNI 5739	Vis M12x1,75x25 UNI 5739
31	4301590	Perno 3° punto inferiore ø 22	Pin ø 22	Bolzen ø 22	Axe ø 22
32	31312080	Vite M12x1,75x80 UNI 5739	Screw M12x1,75x80 UNI 5739	Schraube M12x1,75x80 UNI 5739	Vis M12x1,75x80 UNI 5739
33	6310062	Seeger I ø 62	Circlip I ø 62	Seegersicherung I ø 62	Bague d'arrêt I ø 62
34	4001234	Piedino di appoggio	Foot	Fuss	Pied
35	6100062	Cappellotto di chiusura ø 62	Cover ø 62	Deckel ø 62	Couvercle ø 62
36	4001278	Attacco 3° punto inferiore dx=sx	Junction for 3 rd point	Verbindungstück 3° punkt	Support 3° point
37	4531701	Distanziale 3° punto	Spacer	Distanzstück	Entretoise
38	4201202	Cravatta di bloccaggio	"U" Bolt	Halter	Etrier
39	4001236	Rotore a 4 zappe ZLL-080	Rotor ZLL-080	Rotor ZLL-080	Rotor ZLL-080
39	4001274	Rotore a 4 zappe ZLL-090	Rotor ZLL-090	Rotor ZLL-090	Rotor ZLL-090
39	4001237	Rotore a 4 zappe ZLL-100	Rotor ZLL-100	Rotor ZLL-100	Rotor ZLL-100
39	4001238	Rotore a 4 zappe ZLL-110	Rotor ZLL-110	Rotor ZLL-110	Rotor ZLL-110
39	4001239	Rotore a 4 zappe ZLL-120	Rotor ZLL-120	Rotor ZLL-120	Rotor ZLL-120
39	4001240	Rotore a 4 zappe ZLL-130	Rotor ZLL-130	Rotor ZLL-130	Rotor ZLL-130
39	4001241	Rotore a 4 zappe ZLL-140	Rotor ZLL-140	Rotor ZLL-140	Rotor ZLL-140
40	4001301	Telaio ZLL-080	Frame ZLL-080	Gestell ZLL-080	Cadre ZLL-080
40	4001302	Telaio ZLL-090	Frame ZLL-090	Gestell ZLL-090	Cadre ZLL-090
40	4001303	Telaio ZLL-100	Frame ZLL-100	Gestell ZLL-100	Cadre ZLL-100
40	4001304	Telaio ZLL-110	Frame ZLL-110	Gestell ZLL-110	Cadre ZLL-110
40	4001305	Telaio ZLL-120	Frame ZLL-120	Gestell ZLL-120	Cadre ZLL-120
40	4001306	Telaio ZLL-130	Frame ZLL-130	Gestell ZLL-130	Cadre ZLL-130
40	4001307	Telaio ZLL-140	Frame ZLL-140	Gestell ZLL-140	Cadre ZLL-140
41	34000008	Dado M8 PG UNI 5587	Nut M8 PG UNI 5587	Mutter M8 PG UNI 5587	Ecrou M8 PG UNI 5587
42	34106008	Dado autob. M 8 PG alto UNI 7473	Stop nut M 8 PG	Sperrmutter M 8 PG	Ecrou de sûreté M 8 PG
43	4002336	Perno coperchio ZLL-080	Bonnet pin ZLL-080	Bolzen deckel ZLL-080	Axe capot ZLL-080
43	4002337	Perno coperchio ZLL-090	Bonnet pin ZLL-090	Bolzen deckel ZLL-090	Axe capot ZLL-090
43	4002338	Perno coperchio ZLL-100	Bonnet pin ZLL-100	Bolzen deckel ZLL-100	Axe capot ZLL-100
43	4002339	Perno coperchio ZLL-110	Bonnet pin ZLL-110	Bolzen deckel ZLL-110	Axe capot ZLL-110
43	4002340	Perno coperchio ZLL-120	Bonnet pin ZLL-120	Bolzen deckel ZLL-120	Axe capot ZLL-120
43	4002341	Perno coperchio ZLL-130	Bonnet pin ZLL-130	Bolzen deckel ZLL-130	Axe capot ZLL-130
43	4002342	Perno coperchio ZLL-140	Bonnet pin ZLL-140	Bolzen deckel ZLL-140	Axe capot ZLL-140
44	30208020	Vite M8x1,25x20 UNI 5739	Screw M8x1,25x20 UNI 5739	Schraube M8x1,25x20 UNI 5739	Vis M8x1,25x20 UNI 5739
45	31512035	Vite M12x1,75x35 UNI 5739	Screw M12x1,75x35 UNI 5739	Schraube M12x1,75x35 UNI 5739	Vis M12x1,75x35 UNI 5739
46	4831202	Asta regolazione slitta	Skid adjusting rod	Regulierstange-schlitten	Tige de réglage-glissière
47	4001222	Coperchio ZLL-080	Bonnet ZLL-080	Deckel ZLL-080	Capot ZLL-080
47	4001270	Coperchio ZLL-090	Bonnet ZLL-090	Deckel ZLL-090	Capot ZLL-090
47	4001223	Coperchio ZLL-100	Bonnet ZLL-100	Deckel ZLL-100	Capot ZLL-100
47	4001224	Coperchio ZLL-110	Bonnet ZLL-110	Deckel ZLL-110	Capot ZLL-110
47	4001225	Coperchio ZLL-120	Bonnet ZLL-120	Deckel ZLL-120	Capot ZLL-120
47	4001226	Coperchio ZLL-130	Bonnet ZLL-130	Deckel ZLL-130	Capot ZLL-130
47	4001227	Coperchio ZLL-140	Bonnet ZLL-140	Deckel ZLL-140	Capot ZLL-140

RIF.	CODICE	DENOMINAZIONE	DESCRIPTION	BENENNUNG	DESIGNATION
48	4508702	Catena coperchio 10 maglie	Chian	Kette	Chaîne
49	34000010	Dado M10 PG UNI 5587	Nut M10 PG UNI 5587	Mutter M10 PG UNI 5587	Ecrou M10 PG UNI 5587
50	6310090	Seeger I ø 90	Circlip I ø 90	Seegersicherung I ø 90	Bague d'arrêt I ø 90
51	6320040	Seeger E ø 40	Circlip E ø 40	Seegersicherung E ø 40	Bague d'arrêt E ø 40
52	4141242	Coperchio supporto esterno	Bonnet	Deckel	Capot
53	30210030	Vite M10x1,5x30 UNI 5739	Screw M10x1,5x30 UNI 5739	Schraube M10x1,5x30 UNI 5739	Vis M10x1,5x30 UNI 5739
54	34027022	Rondella alluminio ø 22	Washer ø 22	Scheibe ø 22	Rondelle ø 22
55	2006308	Cuscinetto 6308	Bearing 6308	Lager 6308	Roulement 6308
56	6205572	Paraolio ø 55x72x10 PP	Oil seal ø 55x72x10 PP	Oelabdichtung ø 55x72x10 PP	Pare-huile ø 55x72x10 PP
57	4701202	Supporto rotore	Support	Halterung	Support
58	4701203	Mozzo supporto rotore	Hub	Nabe	Moyeu
59	30212030	Vite M12x1,75x30 UNI 5739	Screw M12x1,75x30 UNI 5739	Schraube M12x1,75x30 UNI 5739	Vis M12x1,75x30 UNI 5739
60	4788744	Guarnizione supporto rotore	Gasket	Dichtung	Garniture
61	4811281	Zappa curva dx	Right blade	Rechtes messer	Couteau droite
62	4811282	Zappa curva sx	Left blade	Linkes messer	Couteau gauche
63	4811283	Zappa a squadra dx	Right square blade	Rechtes winkelmesser	Couteau droit à équerre
64	34101012	Dado M12 PF UNI 5587	Nut M12 PF UNI 5587	Mutter M12 PF UNI 5587	Ecrou M12 PF UNI 5587
65	34021012	Rondella grower ø 12 UNI 1751	Washer ø 12 UNI 1751	Scheibe ø 12 UNI 1751	Rondelle ø 12 UNI 1751
66	4811284	Zappa a squadra sx	Left square blade	Linkes winkelmesser	Couteau gauche à équerre
67	33612035	Vite M12x1,25x35 fil. 20 mm	Screw M12x1,25x35	Schraube M12x1,25x35	Vis M12x1,25x35
68	4721201	Mozzo lato trasmissione	Hub	Nabe	Moyeu
69	34127035	Ghiera autobl. ø 35 GUP	Self locking metal ring ø 35 GUP	Selbssperrendnutmutter ø 35 GUP	Collier autobloquant ø 35 GUP
70	4701221	Ingranaggio condotto Z=17	Gear Z=17	Zahnrad Z=17	Engrenage Z=17
71	31512040	Vite M12x1,75x40 UNI 5739	Screw M12x1,75x40 UNI 5739	Schraube M12x1,75x40 UNI 5739	Vis M12x1,75x40 UNI 5739
72	4001244	Slitta dx=sx	Skid	Schlitzen	Glissière
73	6700254	Maglia giunzione	Link	Kettenglied	Maille de jonction
74	6700025	Catena ASA "80-S" 40 maglie	Chian ASA "80-S"	Kette ASA "80-S"	Chaîne ASA "80-S"
75	4001275	Tendicatena	Chain adjuster	Kettenspanner	Tendeur de chaîne
76	4211263	Molla per tendicatena	Spring	Feder	Ressort
77	30208020	Vite M8x1,25x20 UNI 5739	Screw M8x1,25x20 UNI 5739	Schraube M8x1,25x20 UNI 5739	Vis M8x1,25x20 UNI 5739
78	4141200	Carter trasmissione Sicma	Cover	Deckel	Couvercle
79	3442022	Tappo valvola M 22x1,5	Plug M 22x1,5	Stopfen M 22x1,5	Bouchon M 22x1,5
80	4781264	Guarnizione carter trasmissione	Gasket	Dichtung	Garniture
81	4091280	Sacchetto guarnizioni	Gasket set	Dichtungssatz	Séries garniture
82	3444014	Tappo livello olio M14x1,5	Plug M14x1,5	Stopfen M14x1,5	Bouchon M14x1,5
83	4001682	Supporto piedino	Support	Halterung	Support
84	34118008	Rondella ø 8 fascia larga UNI 6593	Washer ø 8	Scheibe ø 8	Rondelle ø 8
85	4131295	Supporto protezione giunto	Support	Halterung	Support
86	33108020	Vite ad alette M8x1,25x20 UNI 5449	Screw M8x1,25x20 UNI 5449	Schraube M8x1,25x20 UNI 5449	Vis M8x1,25x20 UNI 5449
87	4131294	Protezione giunto	Protecting cover	Schutzkragen	Protecteur
88	31508016	Vite M8x1,25x16 UNI 5739	Screw M8x1,25x16 UNI 5739	Schraube M8x1,25x16 UNI 5739	Vis M8x1,25x16 UNI 5739
89	34112008	Rondella piana ø 8 UNI 6592	Washer ø 8 UNI 6592	Scheibe ø 8 UNI 6592	Rondelle ø 8 UNI 6592
90	3685016	Grillo 5/16" ø 8 mm	Clevis	Schwebende Gerüst	Manille
91	34106012	Dado autobloc. M12 PG alto UNI 7473	Nut M12 PG UNI 7473	Mutter M12 PG UNI 7473	Ecrou M12 PG UNI 7473
92	34021008	Rondella grower ø 8 UNI 1751	Washer ø 8 UNI 1751	Scheibe ø 8 UNI 1751	Rondelle ø 8 UNI 1751
93	4236115	Perno bloccaggio piedino	Pin	Bolzen	Pivot
94	6351003	Spina a "R" ø 3	Split pin "R" ø 3	Splint "R" ø 3	Coupille "R" ø 3
95	4131217	Distanziale fissaggio scatola	Spacer	Distanzstück	Entretoise
96	4131331	Piastra lato esterno	External side plate	Platte	Plaque
97	4001312	Piastra lato trasmissione	Gearing side plate	Platte	Plaque
98	4931230	Piastra supporto gruppo	Gearbox support	Platte	Plaque