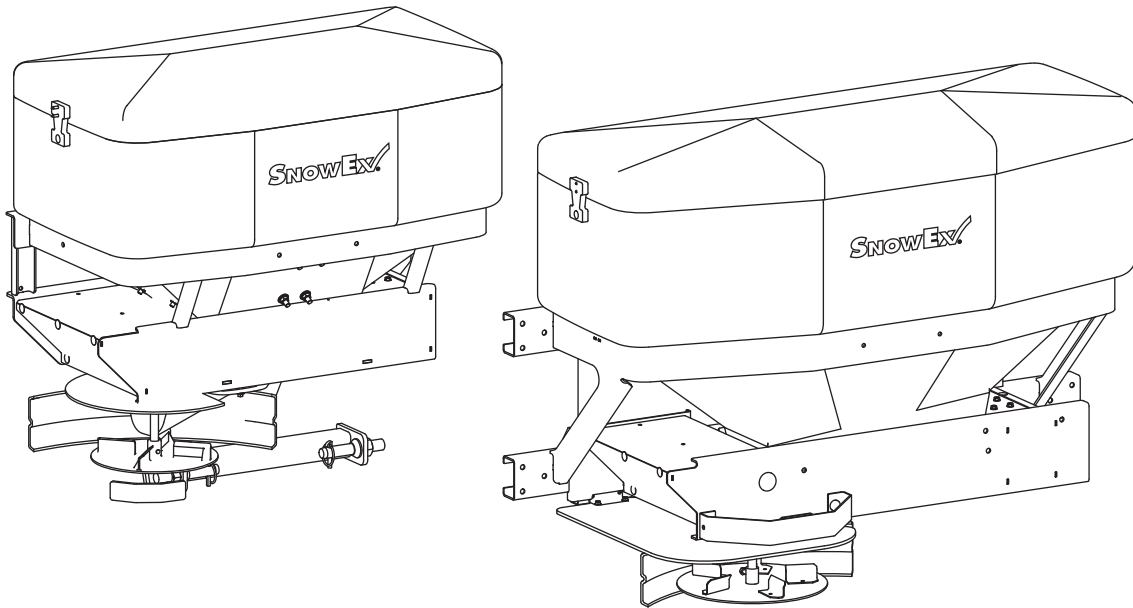




Bulk Pro™ 1575, Bulk Pro 1875 Low-Profile Tailgate Spreader

Hopper and Drive Components
SP-1575-1, SP-1875-1

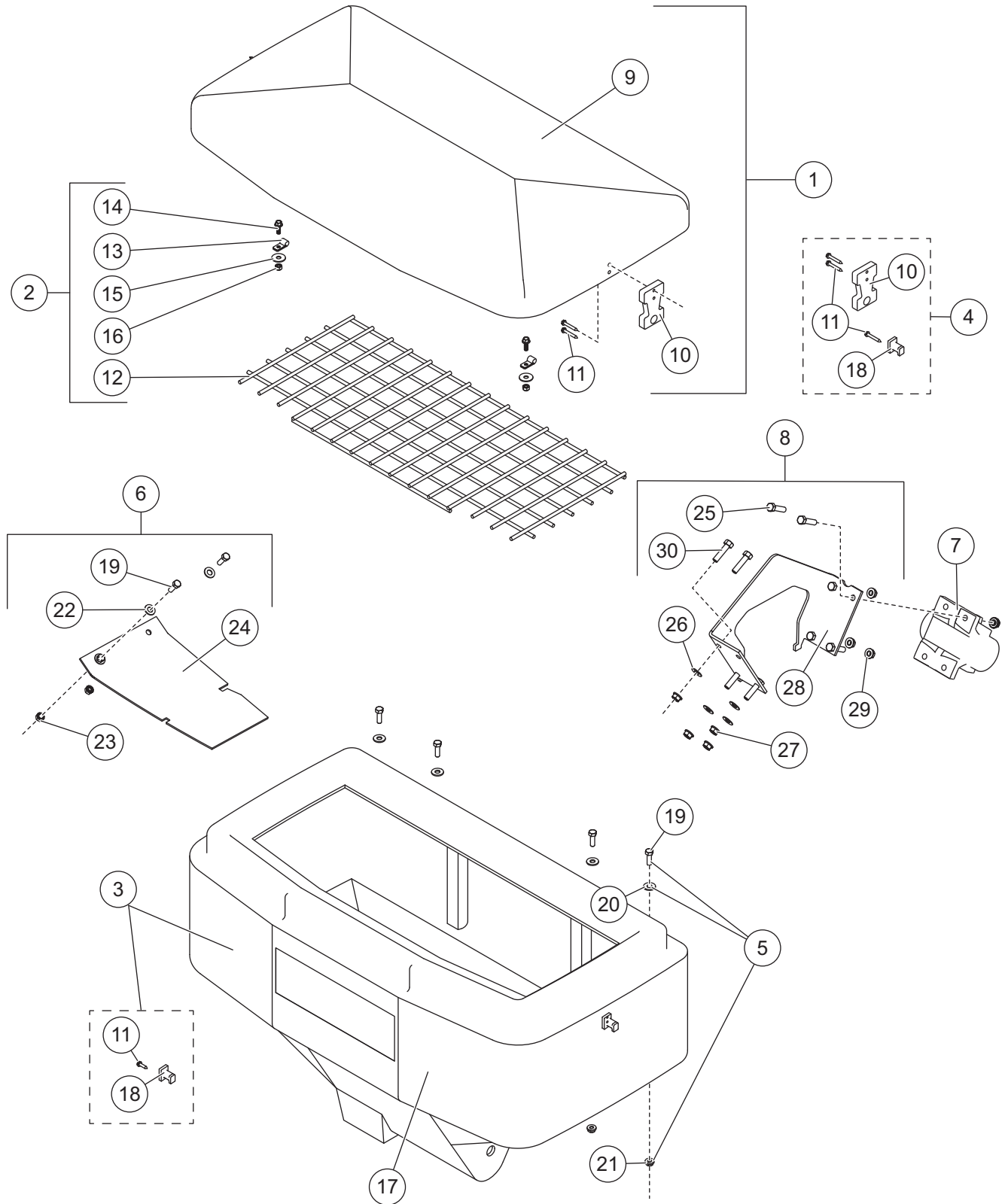
Parts List



This Parts List is for SnowEx® Bulk Pro spreaders with serial numbers beginning with 160501 and higher.

Bulk Pro™ 1575-1 LOW-PROFILE TAILGATE SPREADER

HOPPER, VIBRATOR & BAFFLE



Bulk Pro™ 1575-1 LOW-PROFILE TAILGATE SPREADER

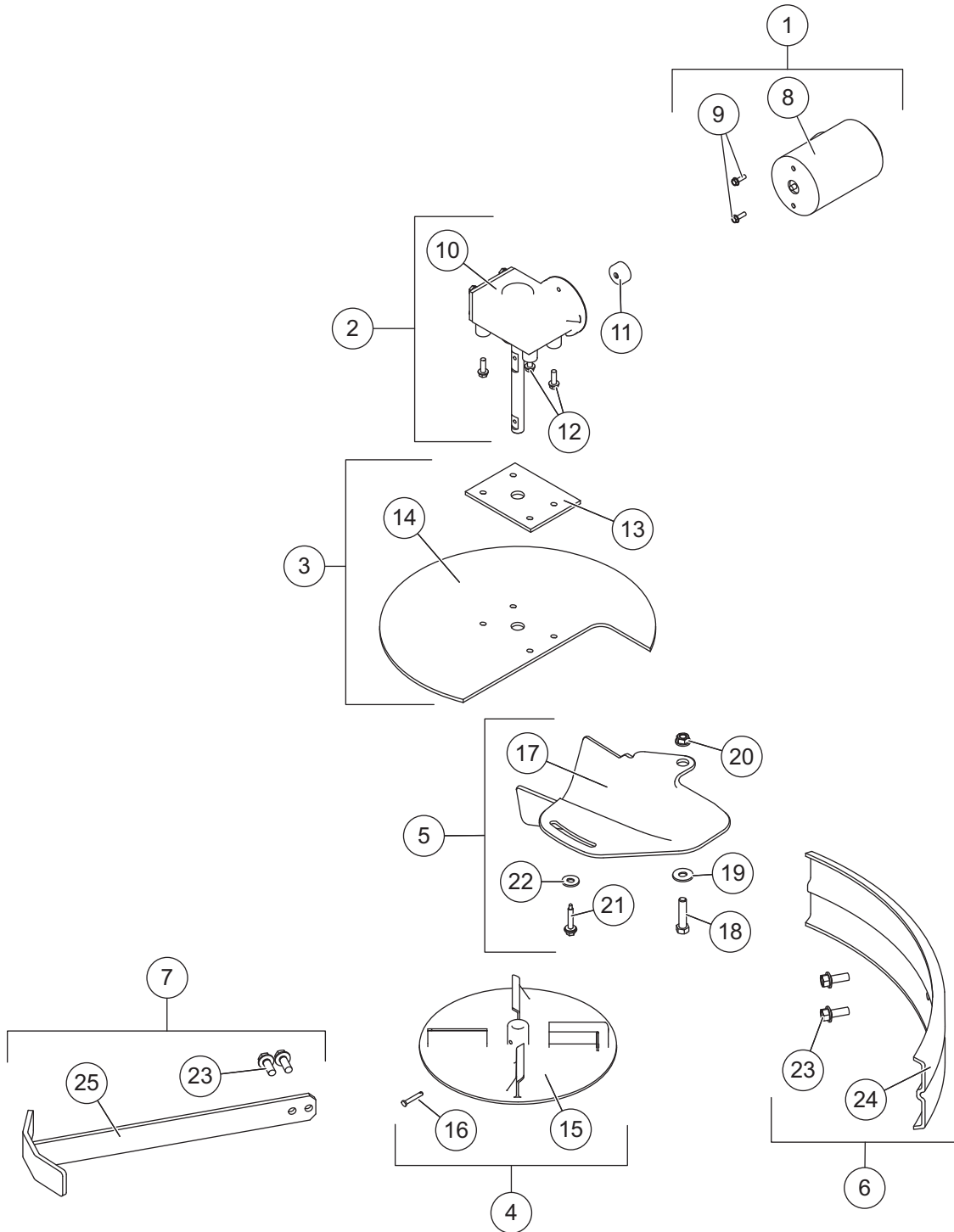
Hopper, Vibrator & Baffle							
Item	Part	Qty	Description	Item	Part	Qty	Description
1	75630	1	Lid Kit	5	75659	1	Hopper Hardware Kit
2	75655	1	Top Screen Kit 30 x 14	6	75657	1	Baffle Kit
3	75652	1	Hopper Kit, SP-1575	7	75673	1	Vibrator – DC-80
4	75612	1	Hopper Strap Kit	8	75658	1	Vibrator Mount Kit
Item 1				75630 Lid Kit			
9		1	Lid Assembly	11		4	#10 x 3/4 Hex Washer Head Slotted Cap Screw
10		2	Flexible Draw Latch				
Item 2				75655 Top Screen Kit 30 x 14			
12		1	Top Screen 30 x 14	15		2	1/4 x 1 Washer
13		2	5/16 Clamp	16		2	1/4 Hex Locknut SS
14		2	1/4-20 x 3/4 Hex Cap Screw Serrated Flange SS				
Item 3				75652 Hopper Kit, SP-1575			
11		2	#10 x 3/4 Hex Washer Head Slotted Cap Screw	17		1	Hopper 5.25 cu ft – Yellow
				18		2	Latch Keeper
Item 4				75612 Hopper Strap Kit			
10		2	Flexible Draw Latch	18		2	Latch Keeper
11		6	#10 x 3/4 Hex Washer Head Slotted Cap Screw				
Item 5				75659 Hopper Hardware Kit			
19		4	5/16-18 x 1 Hex Cap Screw	21		4	5/16-18 Serrated Flange Nut
20		4	5/16 Flat Washer				
Item 6				75657 Baffle Kit			
19		2	5/16-18 x 1 Hex Cap Screw	23		2	5/16-18 Hex Locknut Ext. Tooth GB
22		2	3/8 Flat Washer SS	24		1	Material Baffle
Item 8				75658 Vibrator Mount Kit			
25		4	3/8-16 x 1-1/2 Hex Cap Screw	28		1	Vibrator Mount Bracket
26		4	3/8 Flat Washer SS	29		4	3/8-16 Hex Locknut
27		4	3/8-16 Serrated Flange Nut	30		4	3/8-16 x 1 Hex Cap Screw SS
			SS = Stainless Steel				G = Grade

Bulk Pro™ 1575-1 LOW-PROFILE TAILGATE SPREADER

Frame, Auger & Hitch							
Item	Part	Qty	Description	Item	Part	Qty	Description
1	75653	1	Frame Kit	8	75666	1	Lift Arm Pin Kit
2	75667	1	Auger Drive Cover Kit	9	75558	1	Spinner Drive Cover Kit
3	75661	1	Auger Kit	10	70439	1	Label – Bulk Pro 1575 TG Spreader
4	75660	1	Bearing Kit	11	75621	1	Label – Warning, Hands and Feet
5	75675	1	Motor Kit	12	75669	1	Label – Warning, Rotating Auger
6	75670	1	Auger Transmission Kit	13	75623	1	Label – Warning, Read Manual
7	75654	1	Hitch Kit				
Item 1				75653 Frame Kit			
10	70439	1	Label – Bulk Pro 1575, TG Spreader	13	75623	1	Label – Warning, Read Manual
11	75621	1	Label – Warning, Hands and Feet	14		1	Frame Kit
12	75669	1	Label – Warning, Rotating Auger				
Item 2				75667 Auger Drive Cover Kit			
15		1	Auger Drive Cover	16	D6467-1	6	1/4 x 3/4 x 1/2 Push Retainer Nylon
Item 3				75661 Auger Kit			
17	D5105	1	2-5/8 x 14 x 1-3/8 Auger	19	D6140	1	5/16-18 x 3/8 Socket Head Set Screw
18		1	5/8 Flat Washer Nylon				
Item 4				75660 Bearing Kit			
20	D6332	1	5/8 Bearing 4-Bolt Flange	21		4	3/8-16 Serrated Flange Nut
Item 5				75901 Motor Kit			
22	D6214	1	Motor 12V DC, 3 x 3.8	23		2	#10-32 x 5/8 Hex Cap Screw Serrated Flange w/Patch
Item 6				75670 Auger Transmission Kit			
24		4	1/4-20 x 1/2 Hex Cap Screw Serrated Flange SS	25	D6566	1	Transmission 30:1 Worm Gear
				26	D6232	1	Motor Drive Coupler
Item 7				75654 Hitch Kit			
27		1	Hitch	30		4	1/2-13 Serrated Flange Nut
28		4	1/2-13 x 1-1/2 Hex Cap Screw	31	75620	1	Hitch Pin with Cotter
29		4	1/2 Flat Washer Zinc				
Item 8				75666 Lift Arm Pin Kit			
32		2	7/8 x 5-1/2 Lift Arm Pin	33		2	5/16 x 1-9/16 Linchpin
Item 9				75558 Spinner Drive Cover Kit			
16	D6467-1	6	1/4 x 3/4 x 1/2 Push Retainer Nylon	34		1	Spinner Drive Cover
SS = Stainless Steel							

Bulk Pro™ 1575-1 LOW-PROFILE TAILGATE SPREADER

SPINNER ASSEMBLY & MATERIAL CHUTE

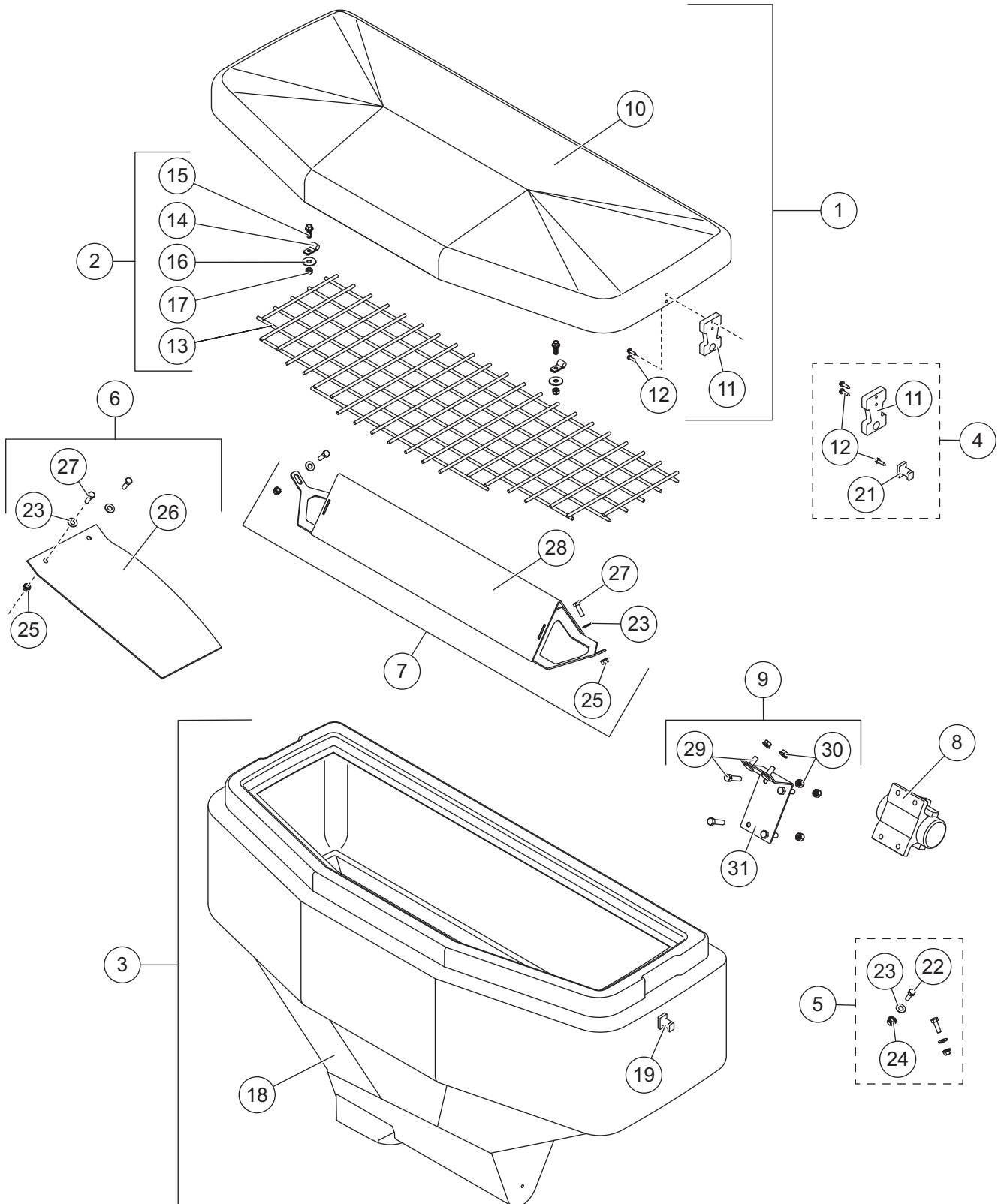


Bulk Pro™ 1575-1 LOW-PROFILE TAILGATE SPREADER

Spinner Assembly & Material Chute							
Item	Part	Qty	Description	Item	Part	Qty	Description
1	75675	1	Motor Kit	5	75662	1	Material Chute Kit
2	75640	1	Spinner Transmission Kit	6	75665	1	Deflector Kit
3	75663	1	CE Guard Kit	7	75672	1	Protector Foot Kit
4	75618	1	Spinner Kit				
Item 1				75901 Motor Kit			
8		1	Motor 12V DC, 3 x 3.8	9		2	#10-32 x 5/8 Hex Cap Screw Serrated Flange w/Patch
Item 2				75640 Spinner Transmission Kit			
10	D6107	1	Transmission 8:1 Worm Gear	12		4	1/4-20 x 3/4 Hex Cap Screw Serrated Flange SS
11	D6232	1	Motor Drive Coupler				
Item 3				75663 CE Guard Kit			
13	D5139	1	CE Guard Spacer	14	D5138	1	CE Guard
Item 4				75618 Spinner Kit			
15	D6750	1	Spinner 10" Poly	16		1	3/16 x 1-1/4 Detent Clevis Pin
Item 5				75662 Material Chute Kit			
17		1	Material Chute	20		1	1/2-13 Serrated Flange Nut
18		1	1/2-13 x 1-1/2 Hex Cap Screw	21		1	1/4 x 1-1/2 Driller w/R-M Washer
19		1	1/2 Flat Washer, Hardened	22		1	5/16 Flat Washer
Item 6				75665 Deflector Kit			
23		2	3/8-16 x 1 Hex Cap Screw Serrated Flange Type F	24	D6327	1	Deflector
Item 7				75672 Protector Foot Kit			
23		2	3/8-16 x 1 Hex Cap Screw Serrated Flange Type F	25		1	Spinner Protector Foot
SS = Stainless Steel							

Bulk Pro™ 1875-1 LOW-PROFILE TAILGATE SPREADER

HOPPER, VIBRATOR & BAFFLE

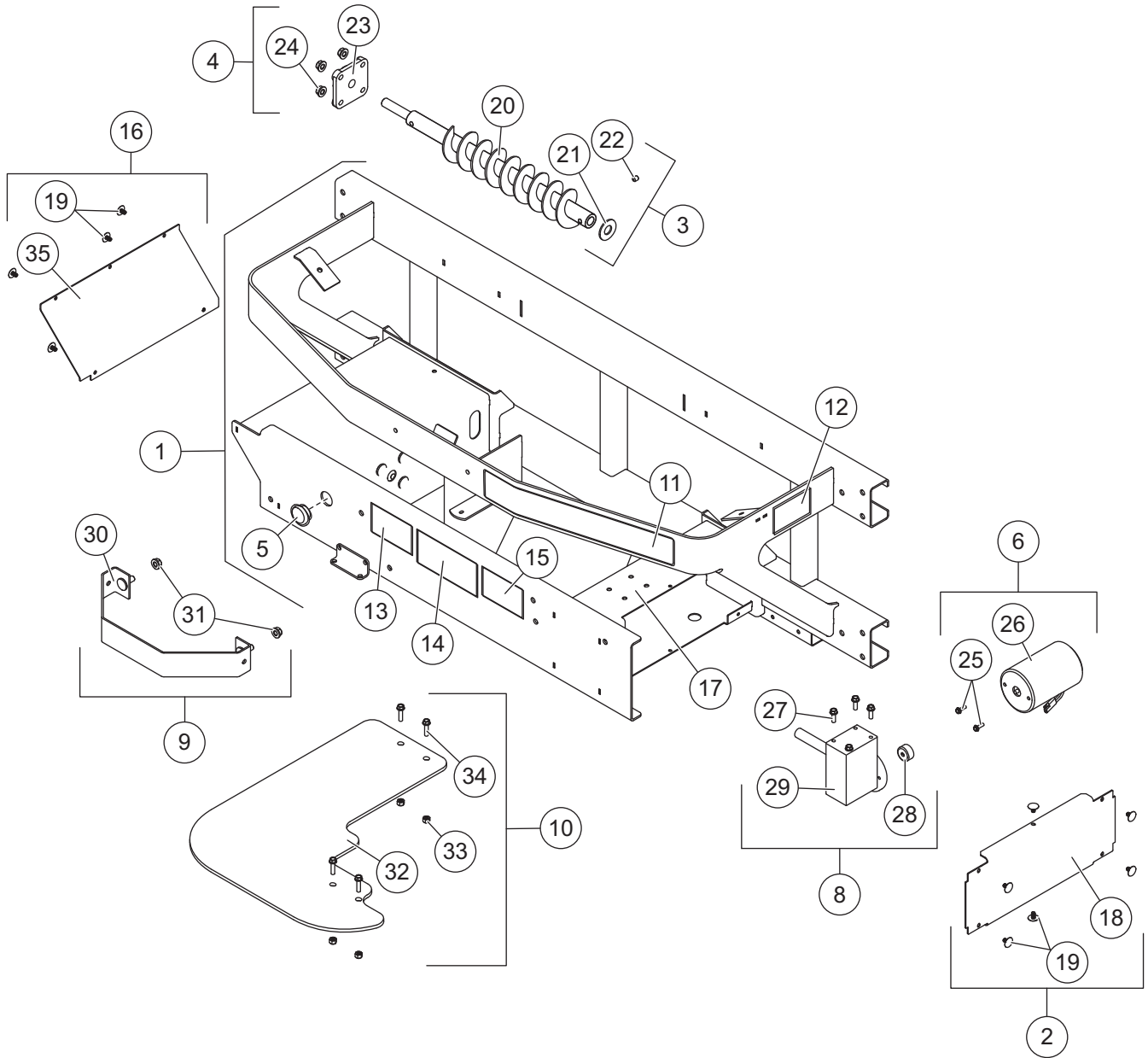


Bulk Pro™ 1875-1 LOW-PROFILE TAILGATE SPREADER

Hopper, Vibrator & Inverted V							
Item	Part	Qty	Description	Item	Part	Qty	Description
1	75677	1	Lid Kit	6	75681	1	Baffle Kit
2	75680	1	Top Screen Kit	7	75682	1	Inverted V Kit
3	75678	1	Hopper Kit, SP-1875	8	75673	1	Vibrator – DC-80
4	75612	1	Hopper Strap Kit	9	75683	1	Vibrator Mount Bracket Kit
5	75614	1	Hopper Hardware Kit				
Item 1				75677 Lid Kit			
10		1	Lid Assembly	12		4	#10 x 3/4 Hex Washer Head Slotted Cap Screw
11	D6105	2	Flexible Draw Latch				
Item 2				75680 Top Screen Kit			
13		1	Top Screen	16		2	1/4 x 1 Washer
14		2	5/16 Clamp	17		2	1/4 Hex Locknut SS
15		2	1/4-20 x 3/4 Hex Cap Screw Serrated Flange SS				
Item 3				75678 Hopper Kit, SP-1875			
18		1	Hopper 8.75 cu ft – Yellow	ns		2	#10 x 3/4 Hex Washer Head Slotted Cap Screw
19	D6198	2	Latch Keeper				
Item 4				75612 Hopper Strap Kit			
11	D6105	2	Flexible Draw Latch	21	D6198	2	Latch Keeper
12		6	#10 x 3/4 Hex Washer Head Slotted Cap Screw				
Item 5				75614 Hopper Hardware Kit			
22		2	5/16-18 x 1 Hex Cap Screw SS	24		2	5/16-18 Hex Locknut SS
23		2	3/8 Flat Washer SS				
Item 6				75681 Baffle Kit			
23		2	3/8 Flat Washer SS	26		1	Material Baffle
25		2	5/16-18 Hex Locknut Ext. Tooth GB	27		2	5/16-18 x 1 Hex Cap Screw
Item 7				75682 Inverted V Kit			
23		2	3/8 Flat Washer SS	27		2	5/16-18 x 1 Hex Cap Screw
25		2	5/16-18 Hex Locknut Ext. Tooth GB	28		1	Inverted V
Item 9				75683 Vibrator Mount Bracket Kit			
29		6	3/8-16 x 1-1/2 Hex Cap Screw	31		1	Mounting Bracket, Inverted V
30		6	3/8-16 Serrated Flange Nut				
SS = Stainless Steel				ns = not shown		G = Grade	

Bulk Pro™ 1875-1 LOW-PROFILE TAILGATE SPREADER

FRAME, AUGER & SPINNER GUARD

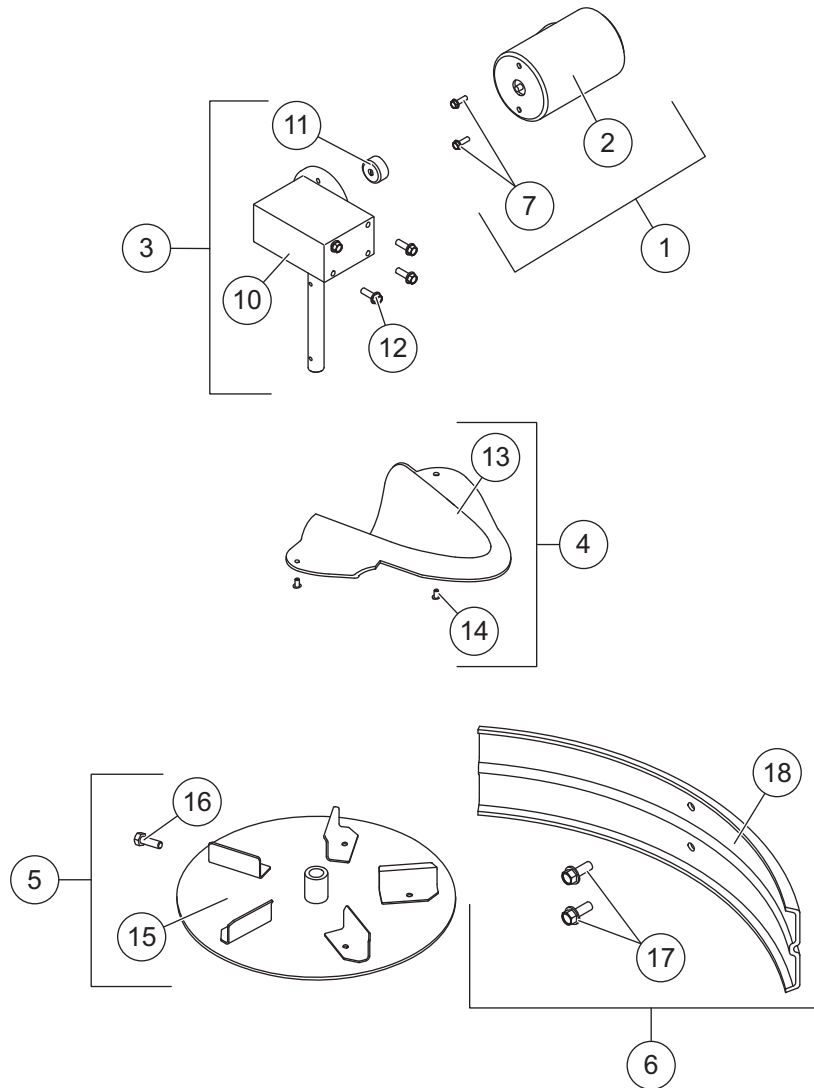


Bulk Pro™ 1875-1 LOW-PROFILE TAILGATE SPREADER

Frame, Auger & Spinner Guard							
Item	Part	Qty	Description	Item	Part	Qty	Description
1	75684	1	Frame Kit, SP-1875	9	75688	1	Trim Ring Kit
2	75667	1	Auger Drive Cover Kit	10	75690	1	Spinner Guard Kit
3	75679	1	Auger Kit	11	70438	1	Label – Bulk Pro 1875 TG Spreader
4	75660	1	Bearing Kit	12	75694	1	Label – Warning, Never Swing Spdr.
5	75689	1	Bearing Access Cover	13	75621	1	Label – Warning, Hands and Feet
6	75675	1	Auger Motor Kit	14	75669	1	Label – Warning, Rotating Auger
7	D6320	1	Auger Motor w/2-Pin Connector	15	75623	1	Label – Warning, Read Manual
8	75692	1	Auger Transmission Kit	16	75559	1	Auger Drive Cover Kit
Item 1				75684 Frame Kit, SP-1875			
5	75689	1	Bearing Access Cover	14	75669	1	Label – Warning, Rotating Auger
11	70438	1	Label – Bulk Pro 1875 TG Spreader	15	75623	1	Label – Warning, Read Manual
12	75694	1	Label – Warning, Never Swing Spdr.	17		1	Main Frame, SP-1875
13	75621	1	Label – Warning, Hands and Feet				
Item 2				75667 Auger Drive Cover Kit			
18		1	Spinner Drive Cover	19		6	1/4 x 3/4 x 1/2 Push Retainer Nylon
Item 3				75679 Auger Kit			
20	D6315	1	2-5/8 x 20 x 1-3/8 Auger	22		1	5/16-18 x 3/8 Socket Head Set Screw
21		1	5/8 Flat Washer Nylon				
Item 4				75660 Bearing Kit			
23	D6332	1	5/8 Bearing 4-Bolt Flange	24		4	3/8-16 Serrated Flange Nut
Item 6				75675 Motor Kit – Auger			
25		2	#10-32 x 5/8 Hex Cap Screw Serrated Flange w/Patch	26	D6214	1	Motor 12V DC, 3 x 3.8
Item 8				75692 Auger Transmission Kit			
27		4	1/4-20 x 3/4 Cap Screw Serrated Flange SS	28	D6232	1	Motor Drive Coupler
				29		1	Transmission 20:1 Worm Gear
Item 9				75688 Trim Ring Kit			
30		1	Trim Ring	31		2	3/8-16 Serrated Flange Nut
Item 10				75690 Spinner Guard Kit			
32		1	Spinner Guard	34		4	1/4-20 x 1 Hex Cap Screw Serrated Flange SS
33		4	1/4-20 Locknut				
Item 16				75559 Drive Cover Kit			
19	D6467-1	6	1/4 x 3/4 x 1/2 Push Retainer Nylon	35		1	Auger Drive Cover
SS = Stainless Steel							

Bulk Pro™ 1875-1 LOW-PROFILE TAILGATE SPREADER

SPINNER, CHUTE & DEFLECTOR

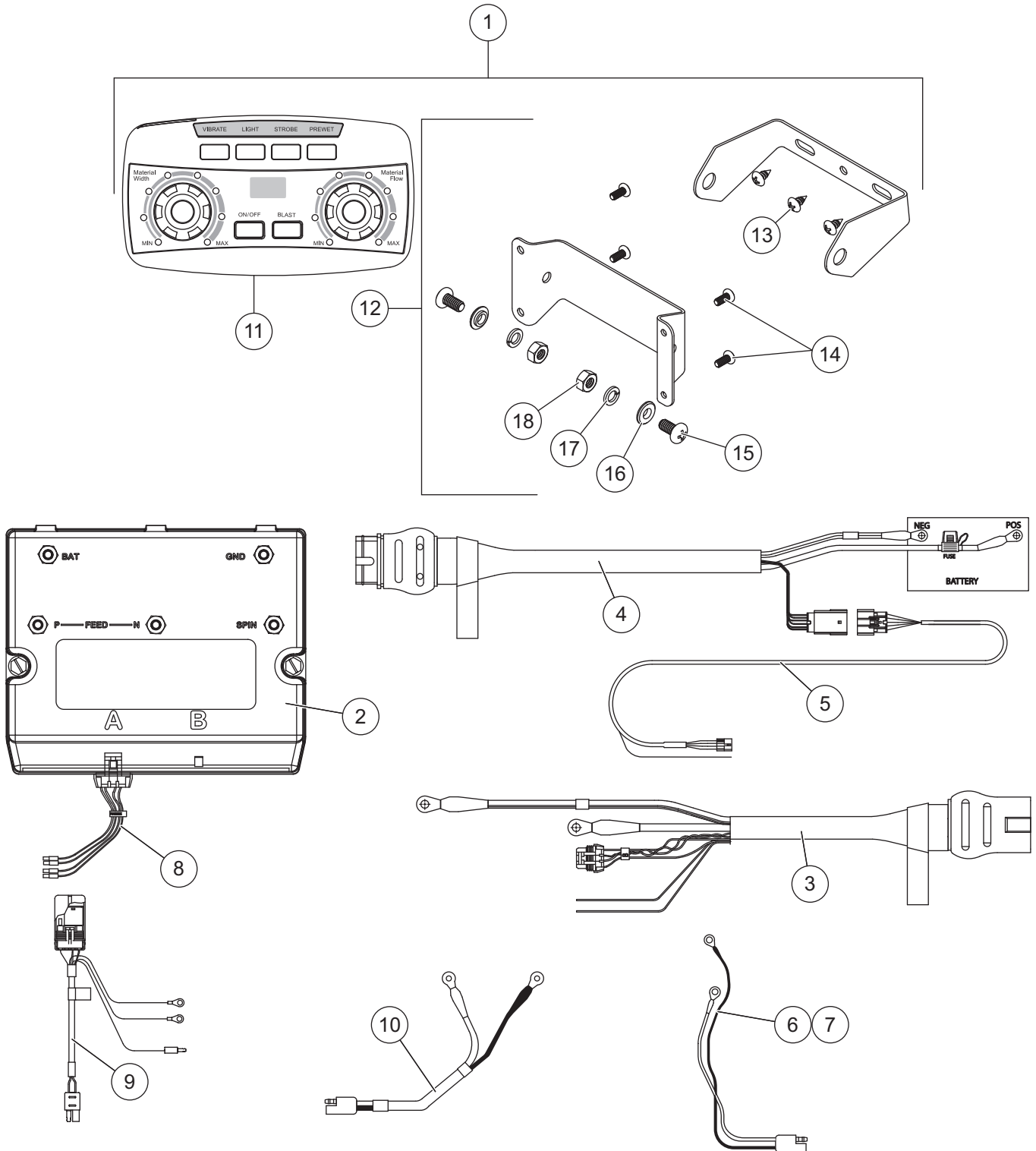


Bulk Pro™ 1875-1 LOW-PROFILE TAILGATE SPREADER

Spinner, Chute & Deflector							
Item	Part	Qty	Description	Item	Part	Qty	Description
1	75626	1	Spinner Motor Kit	4	75691	1	Material Chute Kit
2	D6106	1	Spinner Motor w/2-Pin Connector	5	75685	1	Spinner Kit
3	75686	1	Spinner Transmission Kit	6	75665	1	Deflector Kit
Item 1				75626 Motor Kit – Spinner			
2	D6214	1	Motor 12V DC, 3 x 3.8	7		2	#10-32 x 5/8 Cap Screw Serrated Flange SS
Item 3				75686 Spinner Transmission Kit			
10		1	Transmission 8:1 Worm Gear	12		4	1/4-20 x 3/4 Cap Screw Serrated Flange SS
11	D6232	1	Motor Drive Coupler				
Item 4				75691 Material Chute Kit			
13		1	Material Chute	14		3	3/16 x 0.354 Rivet – Black Aluminum
Item 5				75685 Spinner Kit			
15		1	Spinner 12" Steel	16		1	5/16-18 x 1/2 Hex Cap Screw
Item 6				75665 Deflector Kit			
17		2	3/8-16 x 1 Hex Cap Screw Serrated Flange Type F	18	D6327	1	Deflector
SS = Stainless Steel							

Bulk Pro™ 1575-1, Bulk Pro 1875-1 LOW-PROFILE TAILGATE SPREADER

ELECTRICAL COMPONENTS



Bulk Pro™ 1575-1, Bulk Pro 1875-1 LOW-PROFILE TAILGATE SPREADER

Electrical Components							
Item	Part	Qty	Description	Item	Part	Qty	Description
1	52460	1	Spreader Control Kit	7	78399	1	Spinner Motor Harness Rev Pin-Out (SP-1875-1)
2	52375	1	Spreader Module 5-Post				
3	72092	1	Spreader Harness, 7-Pin	8	69893	1	10-Pin Connector w/4 Wires
4	72090	1	Vehicle Harness, 7-Pin	9	78382	1	Vibrator Harness Assembly
5	69902	1	Vehicle Control Harness	10	78397	1	Auger Motor Harness
6	78398	1	Spinner Motor Harness (SP-1575-1)				
Item 1				52460 Spreader Control Kit			
11	52462	1	Spreader Control	15		2	1/4-20 x 1/2 Pan Head Machine Screw SS – Black
12	52345	1	Control Bracket Kit				
13		3	#10 x 3/8 Pan Head Tapping Screw SS	16		2	1/4 Shoulder Washer SS – Black
14		4	#8 x 3/8 Pan Head Machine Screw	17		2	1/4 Lock Washer SS
				18		2	1/4-20 Hex Nut G5 – Black
SS = Stainless Steel				G = Grade			

Bulk Pro™ 1575-1, Bulk Pro 1875-1 LOW-PROFILE TAILGATE SPREADER

Copyright © 2016 Douglas Dynamics, LLC. All rights reserved. This material may not be reproduced or copied, in whole or in part, in any printed, mechanical, electronic, film or other distribution and storage media, without the written consent of TrynEx International. Authorization to photocopy items for internal or personal use by TrynEx International outlets or spreader owner is granted.

TrynEx International reserves the right under its product improvement policy to change construction or design details and furnish equipment when so altered without reference to illustrations or specifications used. TrynEx International or the vehicle manufacturer may require or recommend optional equipment for spreaders. Do not exceed vehicle ratings with a spreader. Patent pending. TrynEx International offers a limited warranty for all spreaders and accessories. See separately printed page for this important information. The following are registered (®) or unregistered (™) trademarks of Douglas Dynamics, LLC: Bulk Pro™, SnowEx®.

Printed in U.S.A.